

# HSF RoHS

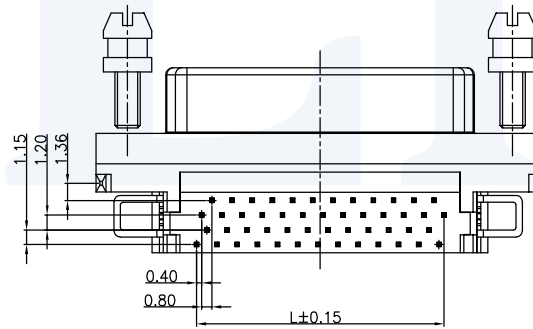
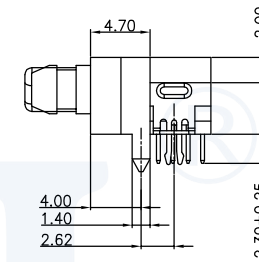
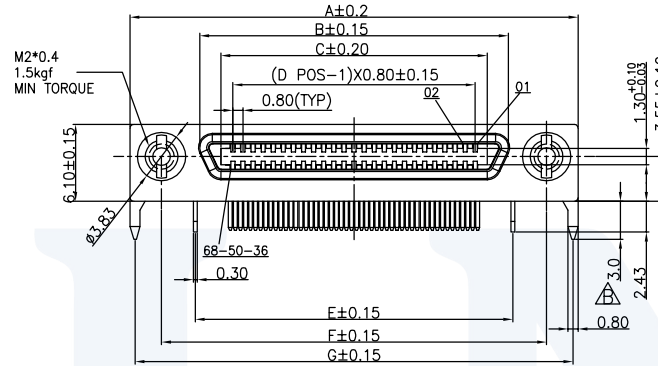
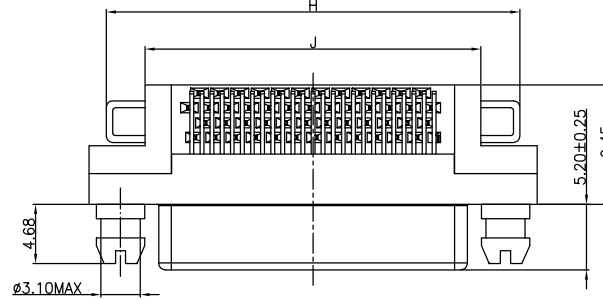
NOTE:

1. MATERIALS:

1. HOUSING: THERMOPLASTIC, UL 94V-0 RATED.
2. COVER: THERMOPLASTIC, UL 94V-0 RATED.
3. CONTACTS: COPPER ALLOY, SELECTIVE GOLD PLATED
4. SHELL: ZINC, NICKEL PLATED.
5. HARPOON: COPPER ALLOY, TIN OVER NICKEL

2. SPECIFICATION:

1. RATED CURRENT: 0.30A/CONTACT
2. INSULATION RESISTANCE: 500MOHM MIN.
3. DIELECTRIC WITHSTANDING VOLTAGE: 250V AC FOR 1 MINUTE.
4. OPERATING TEMPERATURE: -40°C TO +105°C



NO OF POS.	A	B	C	D	E	F	G	H	J	L
36	29.90	18.85	15.50	18	19.55	24.90	29.10	27.15	21.00	14.00
50	35.50	24.45	21.10	25	25.15	30.50	34.70	32.75	26.60	19.60
68	43.00	31.65	28.20	34	32.35	37.70	41.90	39.80	34.40	26.80

## Ordering Information

6333 F XXX R D XX M NA 01

No. of Pins  
36,50,68P

Connector Type  
R=Right Angle

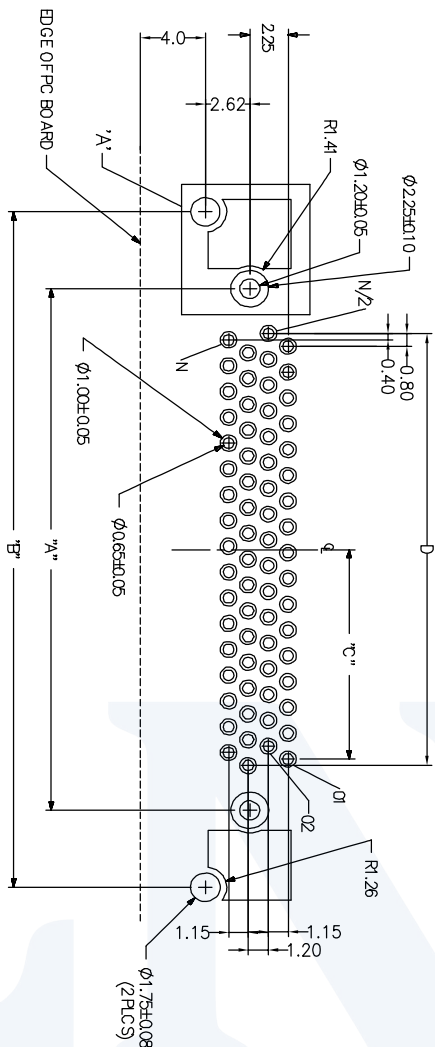
Contact Plating  
G0:Gold Flash  
S0:Gold Flash/Tin  
S1:3U" Gold /Tin  
S2:5U" Gold /Tin  
S3:10U" Gold /Tin  
S4:15U" Gold /Tin  
S5:30U" Gold /Tin

REV	DATE	MODIFICATION DESCRIPTION	CHANGE	OPERATION		DRAW	YiYuSheng	20.08.22	SCALE	FIT
				X.X	±0.30					
B	2020.08.22	Change size 3.5 — 3.0mm		X.XX	±0.20	CHECK			UNIT	mm
A	2020.06.18	NEW DRAWING		X.XXX	±0.10				SIZE	A4
				Angle	±3°	APPROVE			SHEET	1/2
				DIM	TOL				PROJ.	☐

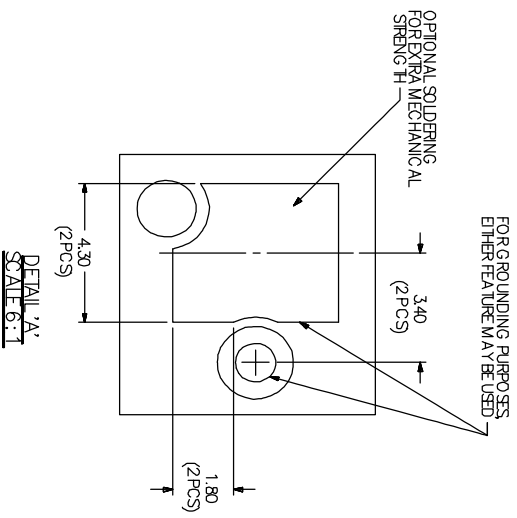
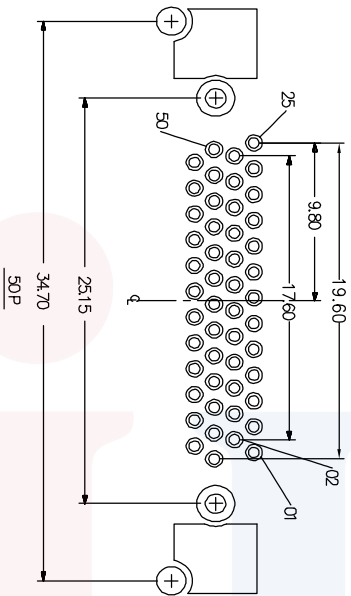
**JILN**® 深圳市锦凌电子有限公司  
SHENZHEN JINLING ELECTRONIC CO.,LTD  
Tel: 86-755-2997-5806/5802 Fax: 86-755-2997-5992

PART NO. 6333-FXXXRDXXMNA01

TITLE: VHDCR 90度 NP 母头 LCP 黑色铆合锁 3.83\*9.1mm M2圆头开口螺丝



NO OF POS.	A	B	C	D
36	19.55	29.10	6.60	14.00
68	32.35	41.90	13.00	26.80



REV	DATE	MODIFICATION DESCRIPTION	CHANGE	OPERATION		DRAW	YTYusheng	20.06.18	SCALE	FIT	PART NO.	TITLE:
				X.X	±0.30				UNIT	mm		
A	2020.06.18	NEW DRAWING		X.XX	±0.20	CHECK			A4		6333-FXXXXRDXMNA01	VHDCR 90度 NP 母头 LCP 黑色铆合锁 3.83*9.1mm M2圆头开口螺丝
1				Angle	±3°	APPROVE			2/2			

**jilin** 深圳市锦凌电子有限公司  
 SHENZHEN JINLING ELECTRONIC CO.,LTD  
 Tel: 86-755-2997-6806/5802 Fax: 86-755-2997-5992