

HSF RoHS

SPECIFICATIONS

Housing: Thermoplastic, UL94V-0

Color: Black

Contact: Copper Alloy

Shell: Zinc Alloy

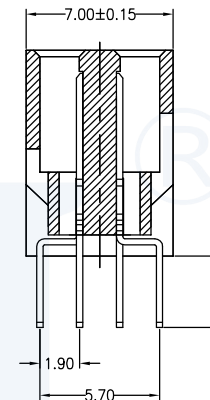
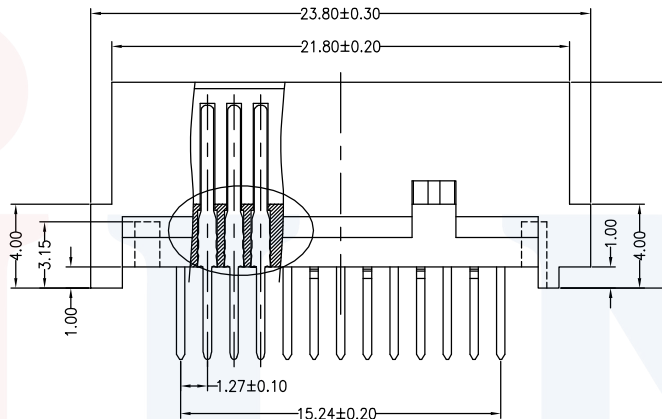
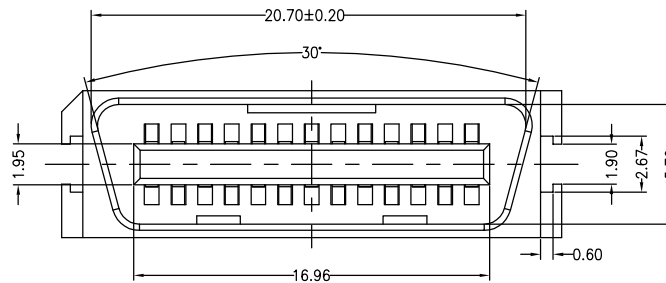
Voltage Current Rating: 0.5AMP.250V AC

Insulation Resistance: 500MΩ Min.

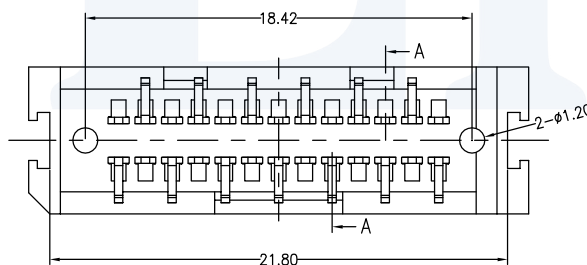
Contact Resistance: 30mΩ Max.

Dielectric Withstanding Voltage: 500V AC

Temperature Range: -40°C to +105°C



SECTION A-A



Ordering Information

6411-M 026 S D XX PNT1

No. of Pins
26P

Contact Plating
S2:3U" Gold /Tin

OPERATION

X.X ±0.30

X.XX ±0.20

X.XXX ±0.10

Angle ±3°

DIM TOL

DRAW

CHECK

APPROVE

YiYuSheng

13.08.28

SCALE

UNIT

SIZE

SHEET

PROJ.

FIT

mm

A4

1/1

◆

JILN® 深圳市锦凌电子有限公司
SHENZHEN JINLING ELECTRONIC CO.,LTD

Tel: 86-755-2997-5806/5802 Fax: 86-755-2997-5992

PART NO.

6411-M026SDS2PNT1

TITLE:

SCSI D-Type Male 26P 180° DIP

A

A0

2013.08.28

NEW DRAWING

REV

DATE

MODIFICATION DESCRIPTION

CHANGE

DIM TOL

APPROVE

YiYuSheng

13.08.28

SCALE

UNIT

SIZE

SHEET

PROJ.

FIT

mm

A4

1/1

◆

PART NO.

6411-M026SDS2PNT1

TITLE:

SCSI D-Type Male 26P 180° DIP

1

2

3

4

5

6

7

8

9