

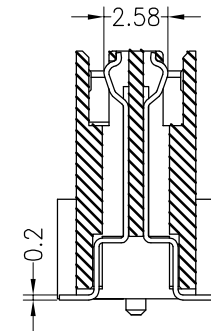
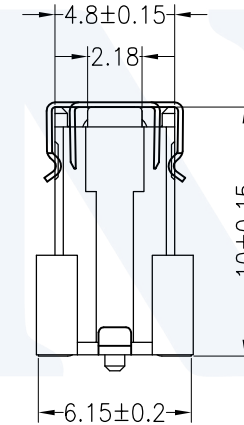
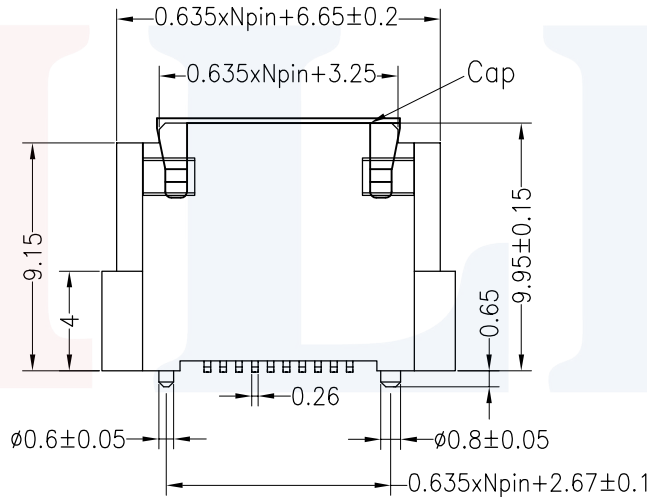
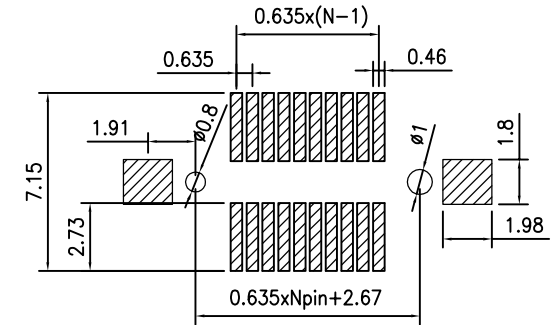
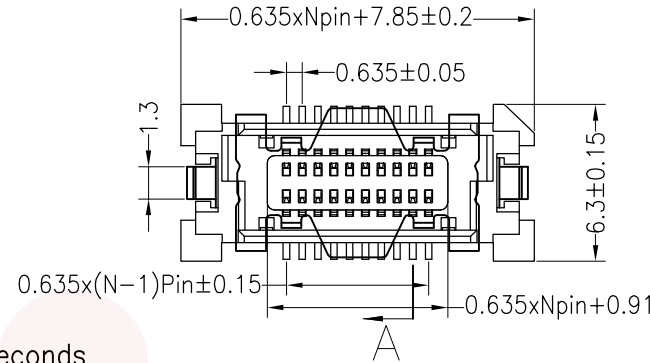
HSF RoHS

SPECIFICATIONS PERFORMANCE

Electical Rating: AC/DC 50V 0.5A
 Insulation Resistance: 500MΩ Min
 Withstand Volt: 200V AC/minute
 Contact Resistance: 30mΩ Max
 Opratng Temperature: -40°C to +125°C
 Material

Contact: Phosphor Bronze Gold-Plated
 Housing: LCP UL94V0
 Max. Processing Temp: 230°C for 30-60 seconds
 260°C for 10 seconds

Recommended P.C.B Layout (Top Side)
 (PCB BOARD TOLERANCE ±0.05)



SECTION A-A

Ordering Information

3722 M XXX 100 XX F X 01

F=Female
M=Male

No. of pins
10-100P

Plastic Hight
100=10.0mm

Contact Plating
 G0: Gold Flash
 G1: 30μ Gold
 G2: 50μ Gold
 G3: 100μ Gold
 G4: 150μ Gold
 G5: 300μ Gold
 S0: Gold Flash/Tin

Packing
 T: Tube
 P: Tube+Cap
 R: Reel+Cap

OPERATION

X.X	±0.30
X.XX	±0.20
X.XXX	±0.10
Angle	±3°
DIM	TOL

DRAW

yi yusheng

19.12.31

SCALE

FIT

UNIT

mm

SIZE

A4

SHEET

1/1

PROJ.

JILN® 深圳市锦凌电子有限公司
 SHENZHEN JINLING ELECTRONIC CO.,LTD
 Tel: 86-755-2997-5806/5802 Fax: 86-755-2997-5992

PART NO.

3722MXXX100XXFX01

TITLE:

0.635BTB NPin H10.0 Male

AO 2019.12.31 NEW DRAWING

REV DATE MODIFICATION DESCRIPTION CHANGE