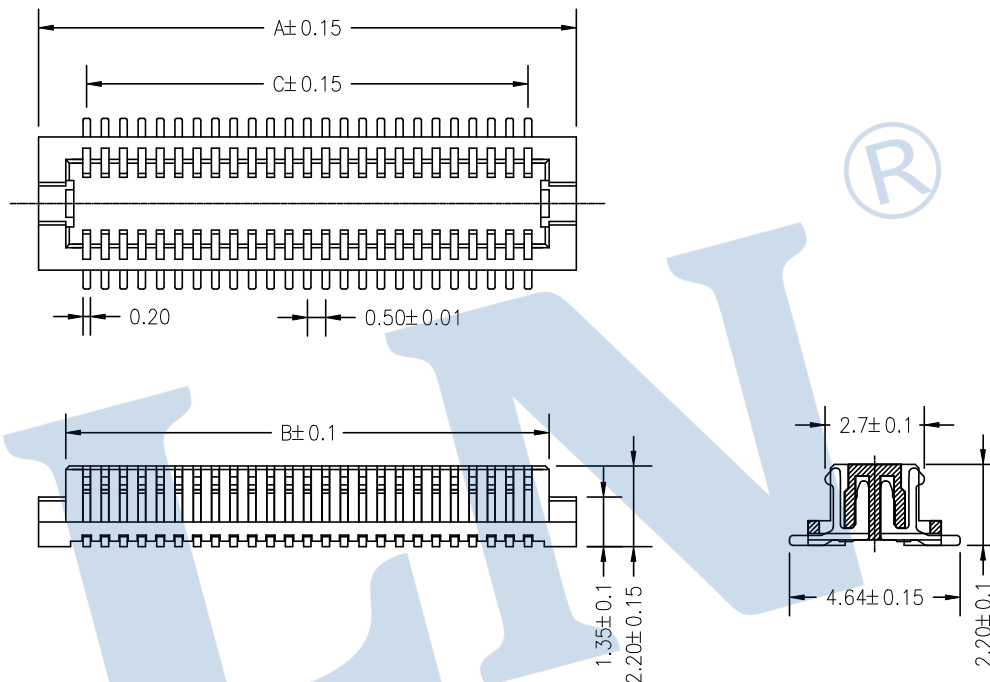


HSF RoHS

**SPECIFICATIONS
PERFORMANCE**

Electical Rating:AC/DC 50V 0.5A
 Insulation Resistance: 500MΩ
 Contact Resistance:50mΩ Max
 Withstang Volt:150V AC/minute
 Opratng Temperature:-40°to+105°
 Material
 Contact:Phosphor Bronze Gold-Plated
 Housing:PA46
 Max.Processing Temp:230°C for30-60 seconds
 (260°C for 10 seconds)



Ordering Information

3720 M XX 022 XX X X OX

No.of Pins
20P
30P
36P
40P
50P
60P
80P

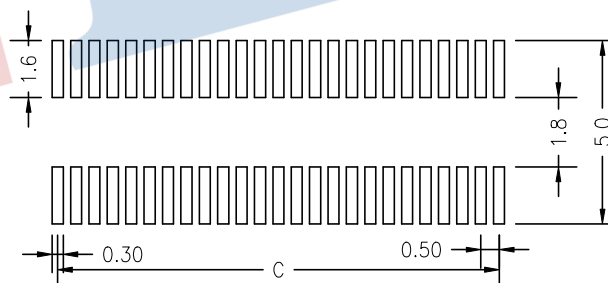
Plastics Height
H=2.2mm

Contact Plating
 G1:1U" Gold
 G2:1.5U" Gold
 G3:2U" Gold
 G4:3U" Gold
 G5:5U" Gold
 G6:10U" Gold
 G7:15U" Gold
 S0:Gold Flash/Tin
 SN:Tin

Insulator Material Option
 D=BK-PA46
 F=BK-LCP

Packing
 A=Tray
 T=Tube
 R=Reel

code stream
01~99



Recommended P.C.B Layout(Top Side)
(PCB BOARD TOLERANCE±0.05)

| NO.OF Contacts | Dimensions | | |
|----------------|------------|-------|-------|
| | A | B | C |
| 20pin | 7.10 | 5.64 | 4.50 |
| 30pin | 9.62 | 8.14 | 7.00 |
| 36pin | 11.12 | 9.64 | 8.50 |
| 40pin | 12.12 | 10.64 | 9.50 |
| 50pin | 14.62 | 13.14 | 12.00 |
| 60pin | 17.12 | 15.64 | 14.50 |
| 80pin | 22.12 | 20.64 | 19.50 |

| | | | | | | | | | | | | |
|-----|------------|--------------------------|---|-----------|-------|-------|------------|----------|-------------------------|-------|---|--|
| | | | | OPERATION | | DRAW | Jelly Feng | 22.06.30 | SCALE | FIT | JILN ® 深圳市锦凌电子有限公司 SHENZHEN JINLING ELECTRONICS CO.,LTD Tel: 86-755-2997-5806/5802 Fax: 86-755-2997-5992 | |
| | | | | X.X | ±0.30 | | | | | | | |
| | | | | X.XX | ±0.20 | SHEET | 1/1 | TITLE: | 0.5BTB-NPIN H=2.2公座 不带柱 | | | |
| | | | | X.XXX | ±0.10 | | | | | PROJ. | ◆ | |
| A0 | 2022.06.30 | NEW DRAWING | | Angle | ±3° | | | | | | | |
| REV | DATE | MODIFICATION DESCRIPTION | | DIM | TOL | | | | | | | |
| 1 | 2 | 3 | 4 | 5 | 6 | 7 | 8 | 9 | | | | |