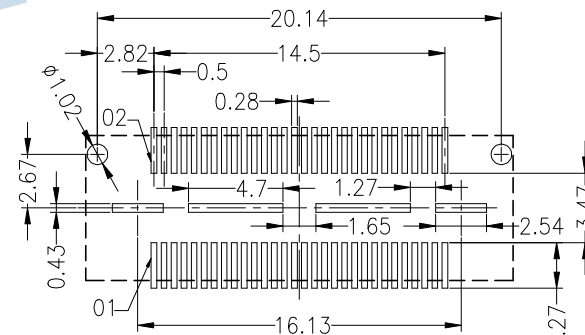
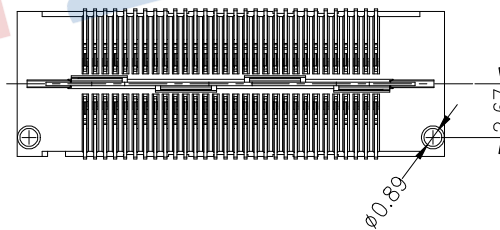
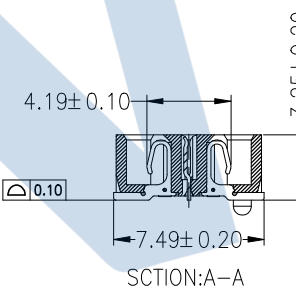
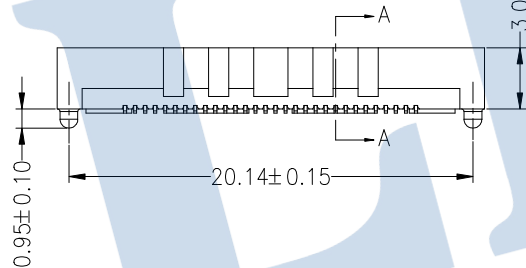
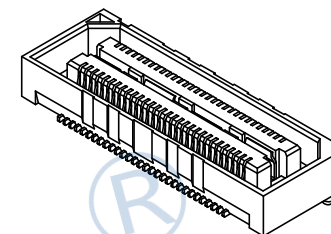
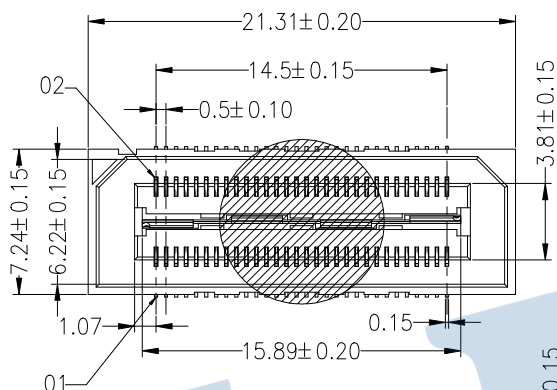


HSF RoHS

SPECIFICATIONS
PERFORMANCE

信号端子 Current Rating: 2A
 电源端子 Current Rating: 25A
 Insulation Resistance: 500MΩ
 Withstang Volt: 175V AC/minute
 Opratng Temperature: -55°C to +125°C
 Material
 Contact: Phosphor Bronze Gold-Plated
 Housing: LCP
 Max. Processing Temp: 230°C for 30-60 seconds
 (260°C for 10 seconds)



Recommended P.C.B Layout (Top Side)
(PCB BOARD TOLERANCE ±0.05)

Ordering Information

3727 M 060 032 XX F X 0X

F=Female M=Male
 No. of pins 60P
 Plastic Hight 032=3.25mm
 Contact Plating
 G0: Gold Flash
 G1: 3U" Gold
 G2: 5U" Gold
 G3: 10U" Gold
 G4: 15U" Gold
 G5: 30U" Gold
 Packing T: Tube R: Reel
 code stream 01~99

OPERATION		DRAW	Jelly Feng	22.06.30
X.X	±0.30			
X.XX	±0.20	CHECK		
X.XXX	±0.10			
Angle	±3°	APPROVE		
DIM	TOL			

SCALE	FIT
UNIT	mm
SIZE	A4
SHEET	1/1
PROJ.	

JILN® 深圳市锦凌电子有限公司
 SHENZHEN JINLING ELECTRONICS CO.,LTD
 Tel: 86-755-2997-5806/5802 Fax: 86-755-2997-5992

A

A0	22.06.30	NEW DRAWING	
REV	DATE	MODIFICATION DESCRIPTION	CHANGE

PART NO.	3727M060032XXFX0X
TITLE:	0.5mm BTB 60Pin H3.25 Male

A