

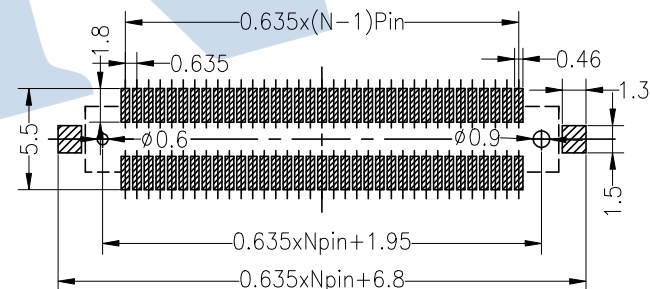
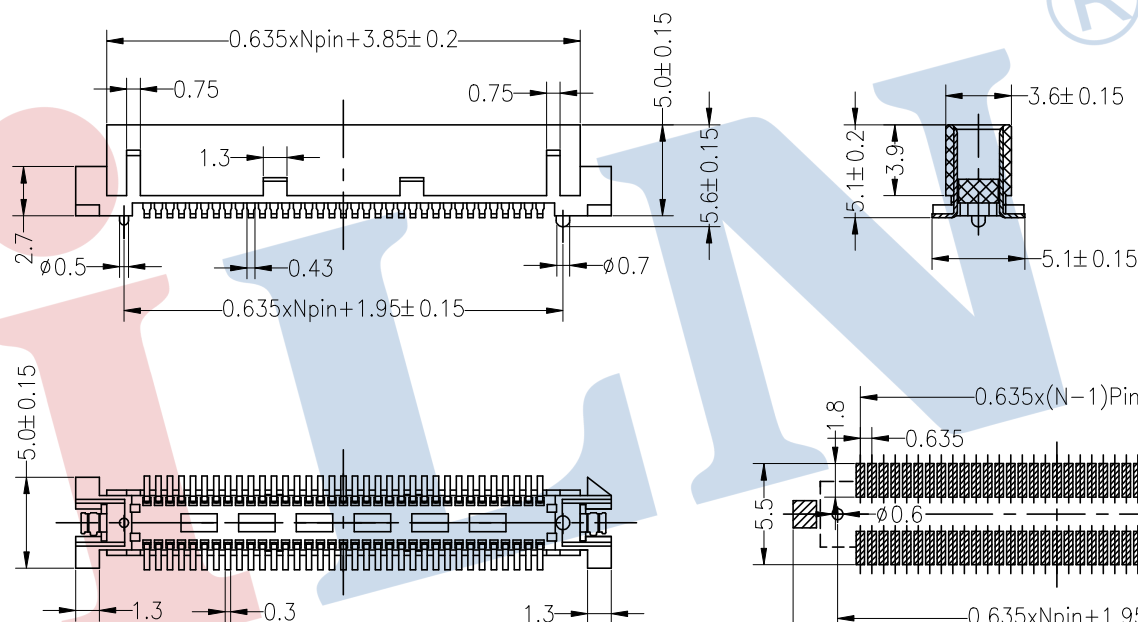
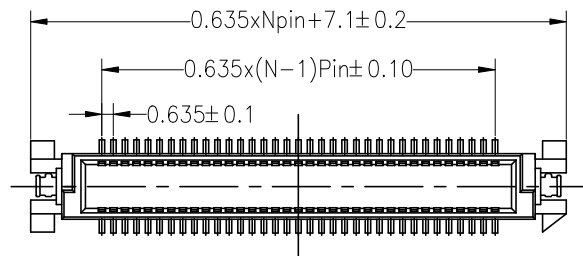
HSF RoHS

SPECIFICATIONS
PERFORMANCE

Electical Rating: AC/DC 50V 0.5A
 Insulation Resistance: 500MΩ Min
 Withstand Volt: 200V AC/minute
 Contact Resistance: 30mΩ Max
 Opratng Temperature: -40°C to +105°C

Material

Contact: Phosphor Bronze
 Housing: LCP UL94V0
 Max.Processing Temp: 260°C±5°C 5S



Recommended P.C.B Layout (Top Side)
 (PCB BOARD TOLERANCE±0.05)

Ordering Information

3722 F XXX 050 XX F X 0X

F=Female
 M=Male
 No.of pins
 10-100P
 Plastic Hight
 050=5.0mm
 Contact Plating
 G0:Gold Flash
 G2:3U" Gold
 G2:5U" Gold
 G3:10U" Gold
 G4:15U" Gold
 G5:30U" Gold
 S0:Gold Flash/Tin
 Packing
 T:Tube
 P:Tube+Cap
 R:Reel+Cap

OPERATION

X.X	±0.30
X.XX	±0.20
X.XXX	±0.10
Angle	±3°
DIM	TOL

DRAW
 CHECK
 APPROVE

Jelly Feng

22.07.08

SCALE
 UNIT
 SIZE
 SHEET
 PROJ.

FIT

mm

A4

1/1

◆

PROJ.

JILN® 深圳市锦凌电子有限公司
SHENZHEN JINLING ELECTRONIC CO.,LTD
 Tel: 86-755-2997-5806/5802 Fax: 86-755-2997-5992

PART NO.

3722FXXX050XXFX0X

TITLE:

0.635BTB NPin H5.0 Female

A

A0	2022.07.08	NEW DRAWING	
REV	DATE	MODIFICATION DESCRIPTION	CHANGE

A