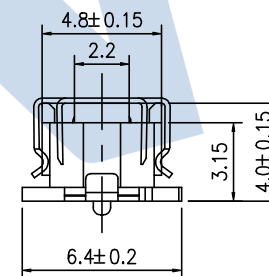
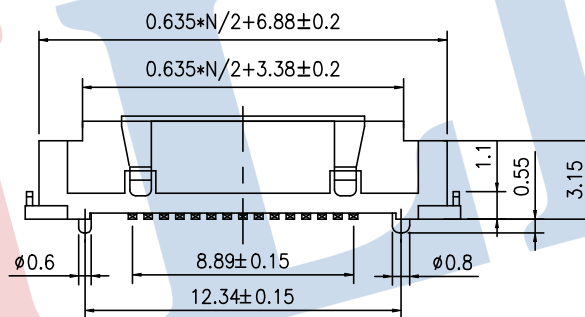
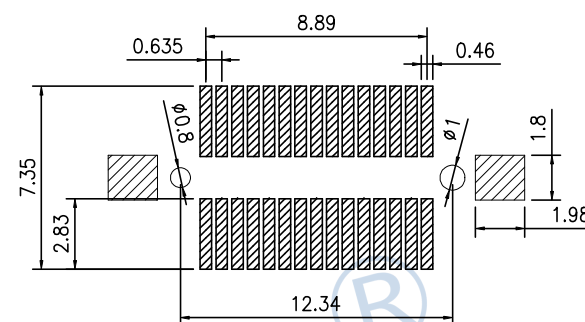
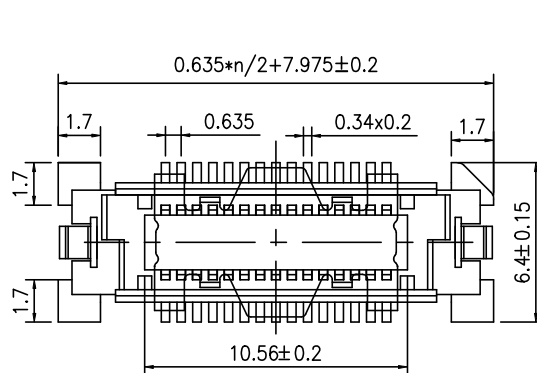


HSF RoHS

SPECIFICATIONS PERFORMANCE

Electical Rating: AC/DC 50V 0.5A
 Insulation Resistance: 500MΩ Min
 Withstand Volt: 200V AC/minute
 Contact Resistance: 30mΩ Max
 Opratng Temperature: -40°C to +105°C
 Material
 Contact: Phosphor Bronze Gold-Plated
 Housing: LCP UL94V0
 Max.Processing Temp: 260°C±5°C 5S

Recommended P.C.B Layout(Top Side)
 (PCB BOARD TOLERANCE±0.05)



Ordering Information

3722 M XXX 040 XX F X 0X

F=Female
 M=Male
 No.of pins
 10-100P
 Plastic Hight
 040=4.0mm
 Contact Plating
 G0:Gold Flash
 G1:30U" Gold
 G2:50U" Gold
 G3:100U" Gold
 G4:150U" Gold
 G5:300U" Gold
 S0:Gold Flash/Tin
 Packing
 T:Tube
 P:Tube+Cap
 R:Reel+Cap

OPERATION		DRAW	Jelly Feng	22.07.08
X.X	±0.30			
X.XX	±0.20	CHECK		
X.XXX	±0.10			
Angle	±3°	APPROVE		
DIM	TOL			

SCALE	FIT
UNIT	mm
SIZE	A4
SHEET	1/1
PROJ.	

JILN 深圳市锦凌电子有限公司
 SHENZHEN JINLING ELECTRONICS CO.,LTD
 Tel: 86-755-2997-5806/5802 Fax: 86-755-2997-5992

REV	DATE	MODIFICATION DESCRIPTION	CHANGE	PART NO.		TITLE:	
A0	2022.07.08	NEW DRAWING		3722MXXX040XXFX0X		0.635BTB NPin H4.0 Male	