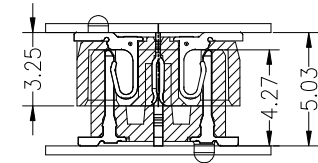
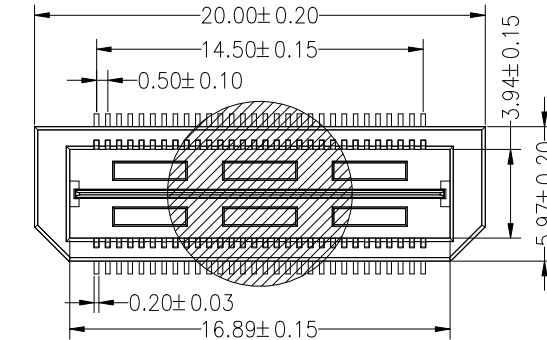


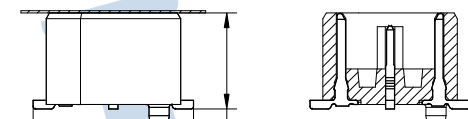
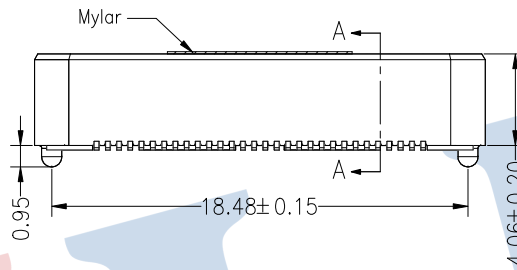
HSF RoHS

**SPECIFICATIONS
PERFORMANCE**

Signal Current Rating:2A/1PIN
 Ground Plane Powered Current Rating:
 25A/1Ground Plane Powered
 Voltage Rating:125V AC
 Insulation Resistance: 500MΩ Min
 Contact Resistance: 50mΩ Max
 Withstang Volt:500V AC/minute
 Opratng Temperature:-55°C to +125°C
 Material
 Contact:Phosphor Bronze Gold-Plated
 Housing:LCP
 Max.Processing Temp: 260°C±5°C 5S



MATING DRAWING(REF)

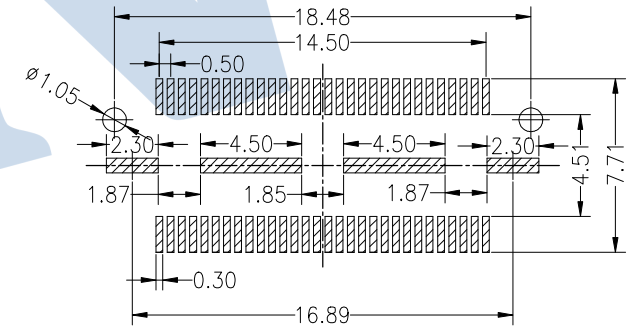
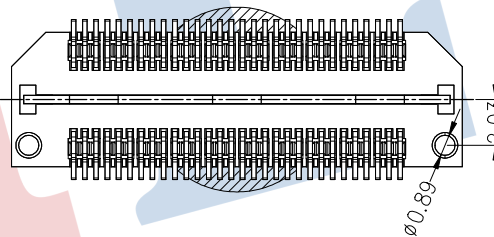


SECTION A-A

Ordering Information

3727 F 060 040 XX F X 0X

F=Female
M=Male
 No.of pins
NPin
N=60
 Plastic Hight
040=4.06mm
 Contact Plating
G0:Gold Flash
G1:3U" Gold
G2:5U" Gold
G3:10U" Gold
G4:15U" Gold
G5:30U" Gold
 Packing
T:Tube
R:Reel
 code stream
01~99



Recommended P.C.B Layout(Top Side)
(PCB BOARD TOLERANCE±0.05)

				OPERATION		DRAW	Jelly Feng	2022.12.15	SCALE	FIT	JILN ® 深圳市锦凌电子有限公司 SHENZHEN JINLING ELECTRONICS CO.,LTD Tel: 86-755-27483253 Fax: 86-755-2997-5588	
				X.X	±0.30				UNIT	mm		
				X.XX	±0.20	CHECK		SIZE	A4	PART NO. 3727F060040XXFX0X		
				X.XXX	±0.10		SHEET	1/1				
A0	2022.12.15	NEW DRAWING		Angle	±3°	APPROVE		PROJ.		TITLE: 0.5mm High-Speed BTB 60Pin H4.06 Female		
REV	DATE	MODIFICATION DESCRIPTION		DIM	TOL							
1	2	3	4	5	6	7	8	9				