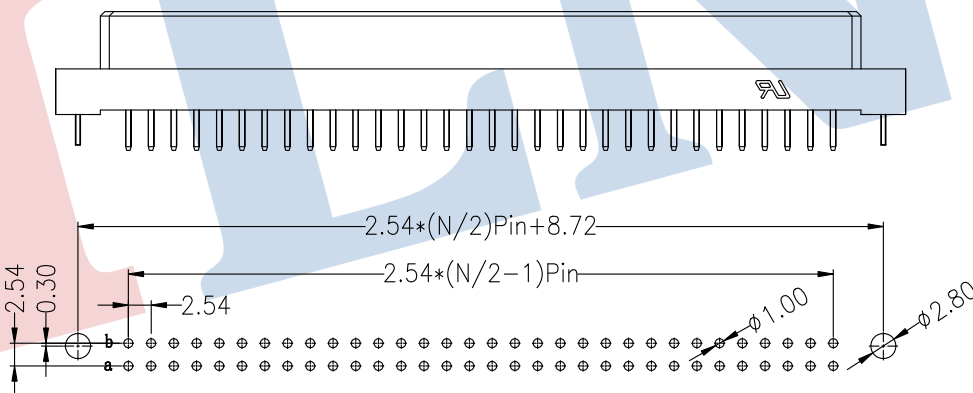
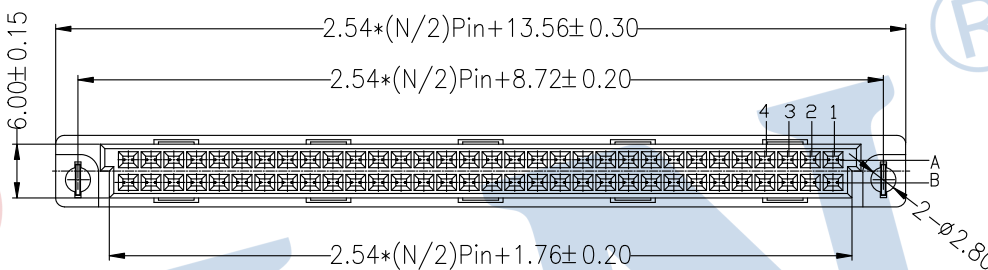
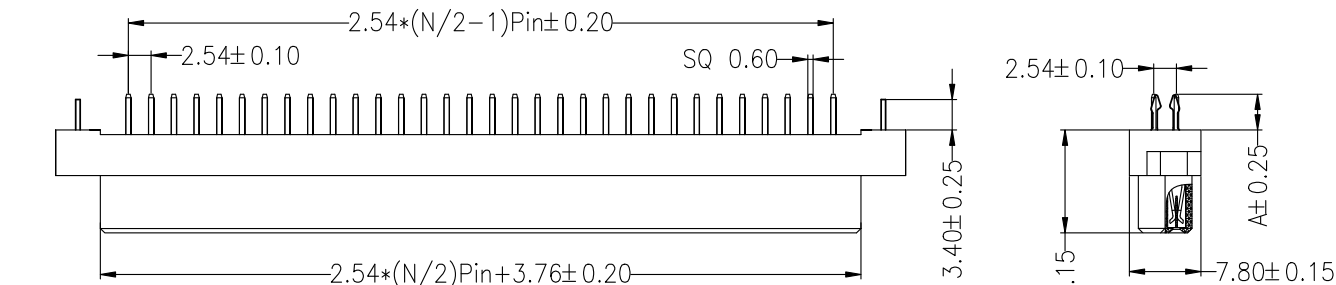




**SPECIFICATIONS**

Rated Current:3.0AMP  
 Contact Resistance:30mΩ Max  
 Withstand Voltage:1000V AC/DC  
 Insulation Resistance:1000MΩ Min  
 Operation Temperature:-40°C to +105°C

Contact Material:Brass  
 Contact Plating:Au or Sn Over Ni  
 Insulator Material:Polyester(UL94V-0)  
 Resistance To Soldering Heat:  
 245°C±5°C, 10s(PBT insulator)



Recommended P.C.B Layout(Top Side)  
 (PCB BOARD TOLERANCE± 0.05)

Dimension antitheses list	
ITEM	A
Standard	4.00

**Ordering Information**

**35112 XX B F S XX BWAX**

No.of Pins NPin N=10、16、20、 32、44、48、64	Contact Type F=Female	Contact Plating G0:Gold Flash S0:Gold Flash/Tin S1:3U" Gold/Tin S2:5U" Gold/Tin S3:10U" Gold/Tin S4:15U" Gold/Tin	Stream Code
--	--------------------------	---	-------------

OPERATION		DRAW	YiYuSheng	14.09.16	SCALE	FIT
X.X	±0.30					
X.XX	±0.20	CHECK			UNIT	mm
X.XXX	±0.10					
Angle	±3°	APPROVE			SIZE	A4
DIM	TOL					
					SHEET	1/1
					PROJ.	◆

**JILN**® 深圳市锦凌电子有限公司  
 SHENZHEN JINLING ELECTRONICS CO.,LTD  
 Tel: 86-755-27483253 Fax: 86-755-2997-5588

REV	DATE	MODIFICATION DESCRIPTION	CHANGE
B	2014.09.16	增加UL标识	
A0	2012.04.10	NEW DRAWING	

PART NO.	35112XXBFSXXBWAX
TITLE:	欧式插座 母座 180度 2xNPin 成品鱼叉系列图