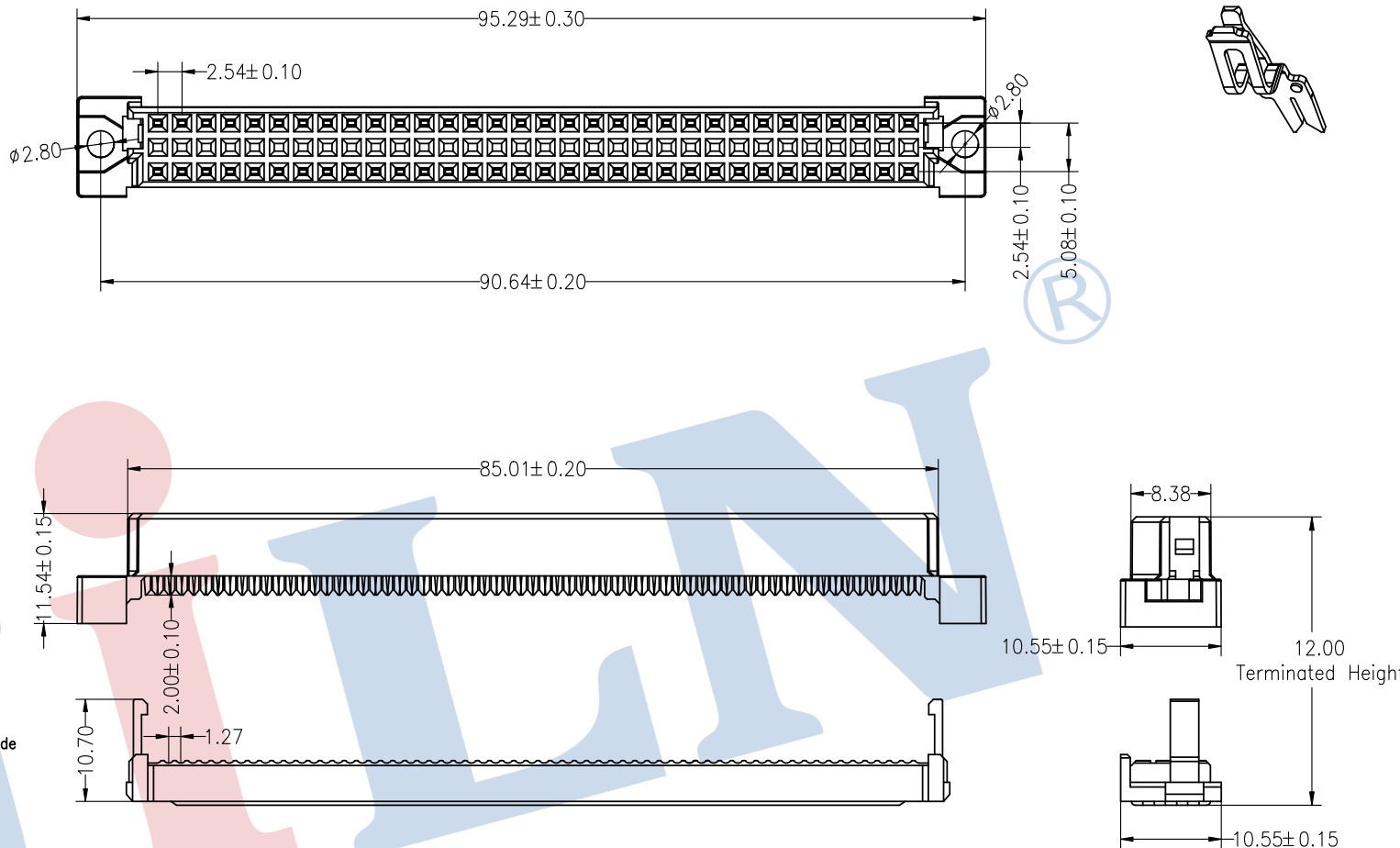


HSF RoHS

SPECIFICATIONS

Rated Current: 3.0AMP
 Contact Resistance: 30mΩ Max
 Withstand Voltage: 1000V AC/DC
 Insulation Resistance: 1000MΩ Min
 Operation Temperature: -40°C to +105°C

Contact Material: Phosphor Bronze
 Contact Plating: Au or Sn Over Ni
 Insulator Material: Polyester (UL94V-0)
 Resistance To Soldering Heat:
 245°C ± 5°C, 10s (PBT insulator)



Ordering Information

3512 3 64 C F I XX P N A X

No. of Pins: 64 = 64 Pin
 Contact Type: A = a+b+c, B = a+b, C = a+c
 Contact Plating: NI: Ni, SO: Gold Flash/Ni
 Stream Code

				OPERATION		DRAW	YiYuSheng	12.04.10	SCALE	FIT	JILN ® 深圳市锦凌电子有限公司 SHENZHEN JINLING ELECTRONICS CO.,LTD Tel: 86-755-27483253 Fax: 86-755-2997-5588		
				X.X	± 0.30				UNIT	mm			
				X.XX	± 0.20	CHECK	SIZE	A4	PART NO.	3512364CFIXXPNAX			
				X.XXX	± 0.10	APPROVE	SHEET	1/1	TITLE:	Din41612 364 Female IDC-Type 中间一排空P			
REV	DATE	MODIFICATION DESCRIPTION	CHANGE	DIM	TOL			PROJ.					
1	2	3	4	5	6	7	8	9					