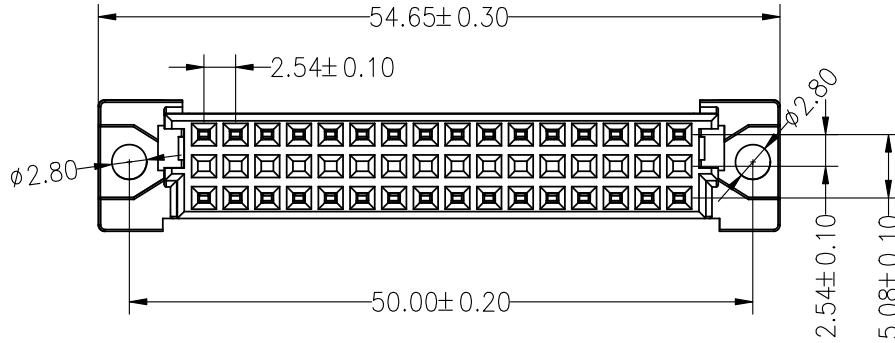


HSF RoHS

SPECIFICATIONS

Rated Current: 3.0AMP
 Contact Resistance: 30mΩ Max
 Withstand Voltage: 1000V AC/DC
 Insulation Resistance: 1000MΩ Min
 Operation Temperature: -40°C to +105°C

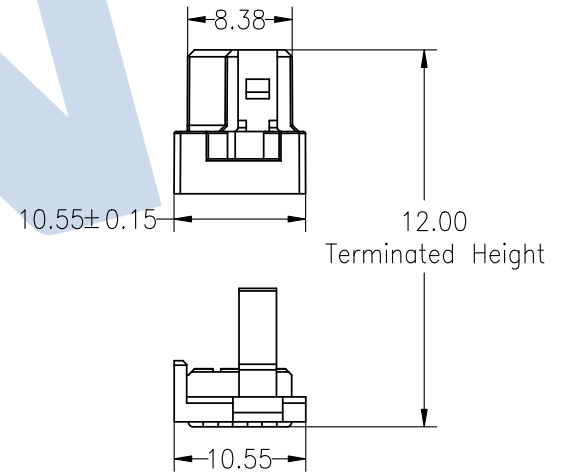
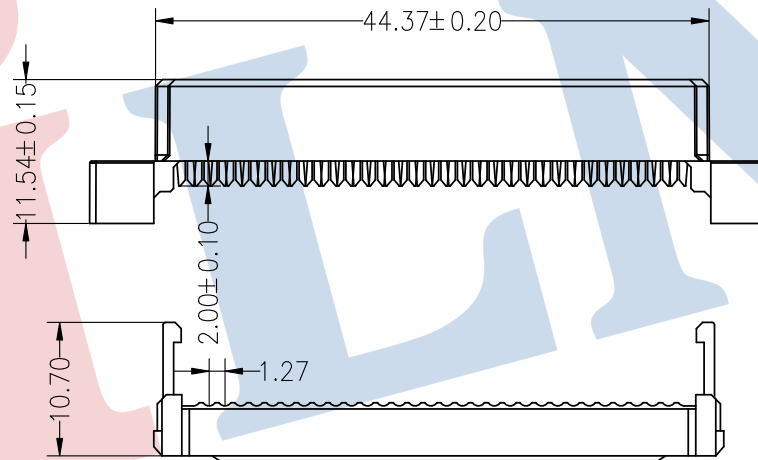
Contact Material: Phosphor Bronze
 Contact Plating: Au or Sn Over Ni
 Insulator Material: Polyester (UL94V-0)
 Resistance To Soldering Heat:
 245°C ± 5°C, 10s (PBT insulator)



Ordering Information

3512 3 32 C F I XX P W A X

No. of Pins: 32=32Pin
 Contact Type: A=a+b+c, B=a+b, C=a+c
 Contact Plating: NI:NI, SO:Gold Flash/Ni
 Stream Code



				OPERATION		DRAW	YiYuSheng	12.04.10	SCALE	FIT	JILN ® 深圳市锦凌电子有限公司 SHENZHEN JINLING ELECTRONICS CO.,LTD Tel: 86-755-27483253 Fax: 86-755-2997-5588		
				X.X	±0.30				UNIT	mm			
				X.XX	±0.20	CHECK	SIZE	A4	PART NO.	3512332CFIXXPWAX			
				X.XXX	±0.10	APPROVE	SHEET	1/1	TITLE:	Din41612 332 Female IDC-Type			
REV	DATE	MODIFICATION DESCRIPTION	CHANGE	DIM	TOL			PROJ.					