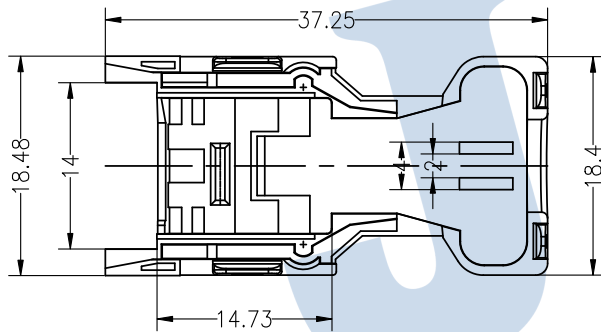
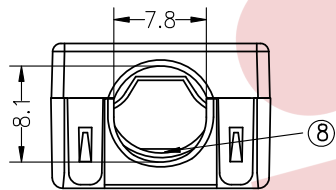
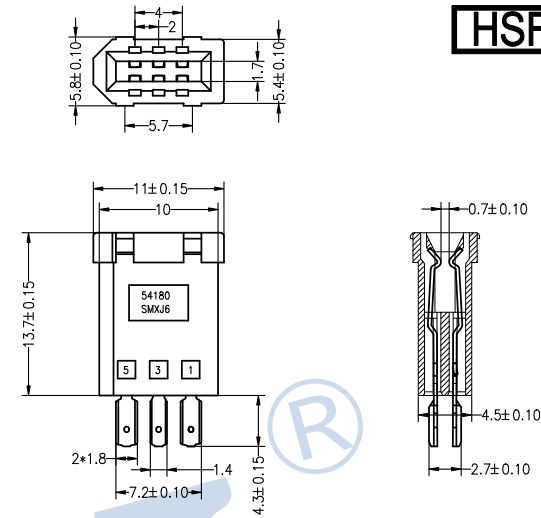
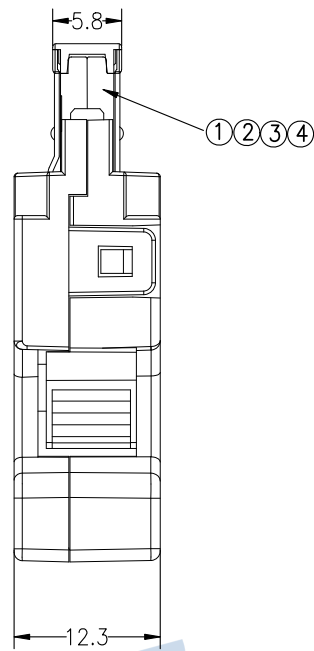
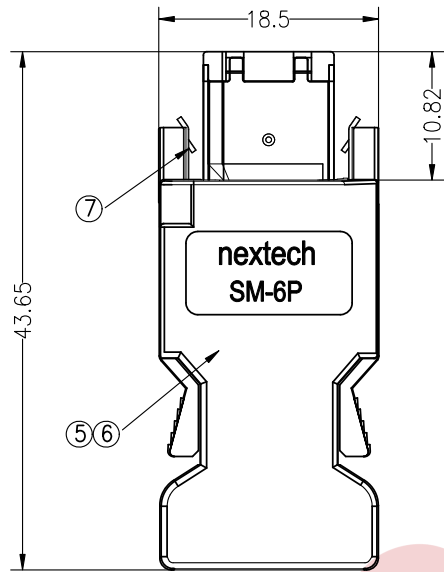
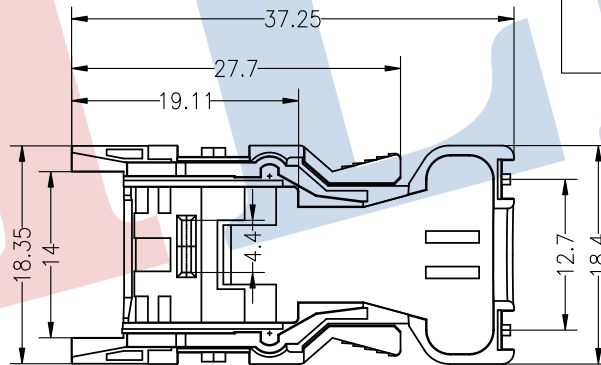


成品组装图:  
(Assemble)



塑胶下壳 (bottom shell plastic)



塑胶上壳 (up shell plastic)

SPECIFICATIONS  
 Rated Current:1.0AMP  
 Contact Resistance:20mΩ Max  
 Withstand Voltage:500V AC/DC  
 Insulation Resistance:1000MΩ Min  
 Operation Temperature:-40°c to +105°c  
 Contact Material:Phosphor Bronze  
 Contact Plating:Au Over Ni  
 Insulator Material:Polyester(UL94V-0)  
 Standard: PBT

端子单PIN保持力:1.6KG

Pin No.	Specification	Material	Q'TY	UNIT
①	塑胶主本 (plastic body)	PBT	PCS	1
②	端子 (terminal)	C5191-EH	PCS	6
③	上铁壳 (up iron shell)	C2680-H	PCS	1
④	下铁壳 (bottom iron shell)	C2680-H	PCS	1
⑤	上外壳 (up outside shell)	ABS+PC	PCS	1
⑥	下外壳 (bottom outside shell)	ABS+PC	PCS	1
⑦	弹片 (clips)	SPCC	PCS	2
⑧	下线夹 (Lock)	S301	PCS	1

				OPERATION		DRAW	YiYuSheng	13.11.18	SCALE	FIT	<b>JILN</b> ® 深圳市锦凌电子有限公司 SHENZHEN JINLING ELECTRONICS CO.,LTD Tel: 86-755-27483253 Fax: 86-755-2997-5588		
				X.X	±0.30								CHECK
				X.XX	±0.20	APPROVE			SIZE	A4	PART NO.	6312F-06SGOPA0X	
				X.XXX	±0.10								SHEET
A0	2013.11.18	NEW DRAWING		Angle	±3°	PROJ.							
REV	DATE	MODIFICATION DESCRIPTION		DIM	TOL								