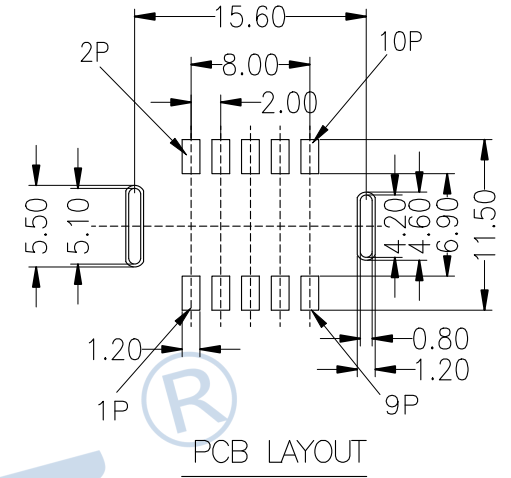
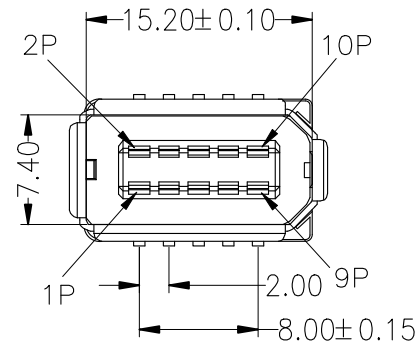


# HSF RoHS

## SPECIFICATIONS

Rated Current:2.0AMP  
 Contact Resistance:20mΩ Max  
 Withstand Voltage:500V AC/DC  
 Insulation Resistance:1000MΩ Min  
 Operation Temperature:-55°C to +105°C  
 Contact Material:Phosphor Bronze  
 Contact Plating:Au Over Ni  
 Shroud Material:Phosphor Bronze/Iron  
 Shroud Plating:Tin Over Ni  
 Insulator Material:Polyester(UL94V-0)  
 Standard: LCP  
 Soldering temperature:260°C±5° 5S



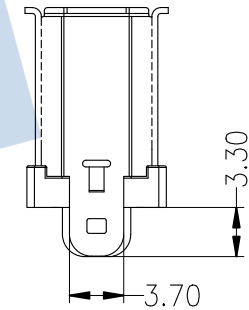
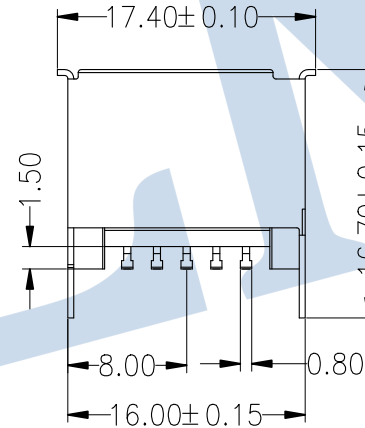
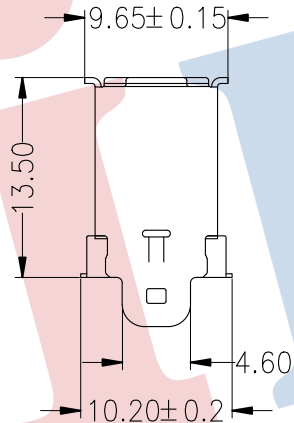
## Ordering Information

6312M - 10 M XX M X 0 X

No.of Pins  
10P

Contact Plating  
 G0:Gold Flash  
 G4:3U" Gold  
 G5:5U" Gold  
 G6:10U" Gold  
 G7:20U" Gold  
 S2:3U" Gold /Tin  
 S3:5U" Gold /Tin  
 S4:10U" Gold /Tin  
 S5:15U" Gold /Tin

Packing  
 A:Tray  
 T:Tube



### OPERATION

X.X	±0.30
X.XX	±0.20
X.XXX	±0.10
Angle	±3°
DIM	TOL

DRAW

YiYuSheng

18.05.23

CHECK

APPROVE

SCALE

FIT

UNIT

mm

SIZE

A4

SHEET

1/1

PROJ.

**JILN**® 深圳市锦凌电子有限公司  
 SHENZHEN JINLING ELECTRONICS CO.,LTD

Tel: 86-755-27483253 Fax: 86-755-2997-5588

PART NO.

6312M-10MXXMX0X

TITLE:

1394 SM Male 10P SMT(Metal Shell)

REV	DATE	MODIFICATION DESCRIPTION	CHANGE
A0	2018.05.23	NEW DRAWING	