

HSF RoHS

NOIE:

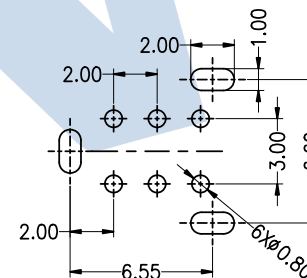
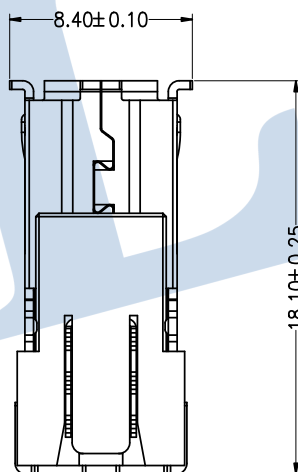
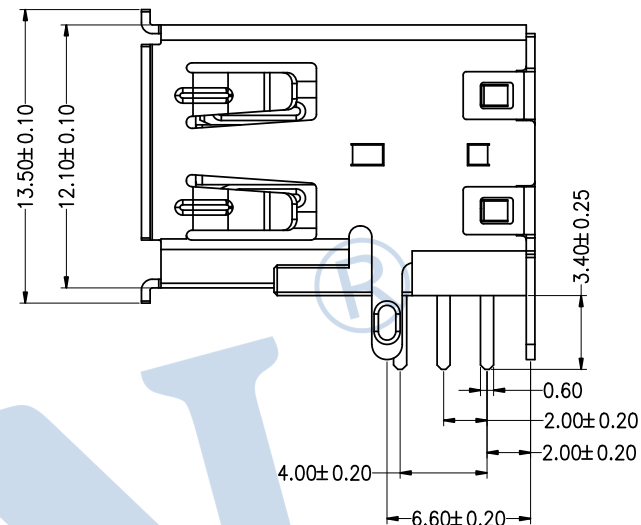
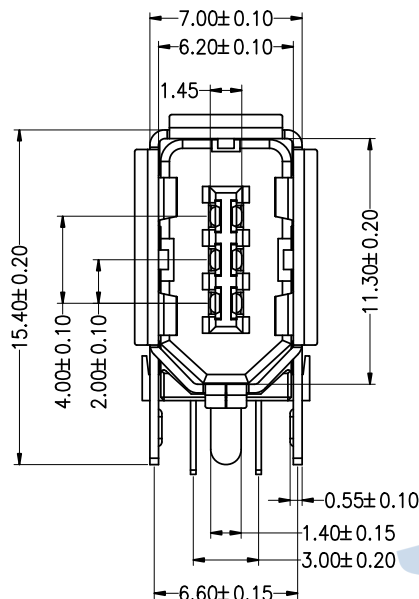
1. Material:
Housing: LCP/PBT Black;Thermoplastics,UL94V-0(Halogen free)
Contact: Copper Alloy
Shell: Copper Alloy
Back Shell: Ferro Alloy
2. FINISH:
Contact: Gold Flash Plated on Contact Area,
80u" Min.Tin Plated on Solder Tails,
50u" Min.Nickel Underplating Over All.
Shell: 50u" Min.Nickel Underplating Over All.
3. Specification:
3.1: Rating:
Rated voltage:40V AC/DC. Rated current:1.5A Max.
3.2: Electrical:
Insulation Resistance: 100MΩ Min
Contact Resistance: 30 mΩ Max
Dielectric Withstanding Voltage: 500V/AC

4. Ordering information

Ordering Information

6312M - 06 D XX M A 0 X

Type	No.of Pins	Join Type	Contact Plating	Plastic Material	Packing
M:Male	06P	D:Sidar R/A	S0:Gold Flash/Tin S1:3U" Gold /Tin S2:5U" Gold /Tin S3:10U" Gold /Tin S4:15U" Gold /Tin S5:30U" Gold /Tin	M:LCP	A:Tray



P.C.B Layout

				OPERATION		DRAW	Jelly Feng	2021.12.21	SCALE	FIT	JILN® 深圳市锦凌电子有限公司 SHENZHEN JINLING ELECTRONICSCO.,LTD Tel: 86-755-27483253 Fax: 86-755-2997-5588	
				X.X	±0.30				UNIT	mm		
				X.XX	±0.20				SIZE	A4		
				X.XXX	±0.10				SHEET	1/1		
A0	2021.12.21	NEW DRAWING		Angle	±3°	APPROVE		PROJ.	☉	PART NO.	6312M-06DXXMAOX	
REV	DATE	MODIFICATION DESCRIPTION		DIM	TOL					TITLE:	1394 6F 90度 侧插铜黑	
1	2	3	4	5	6	7	8	9				