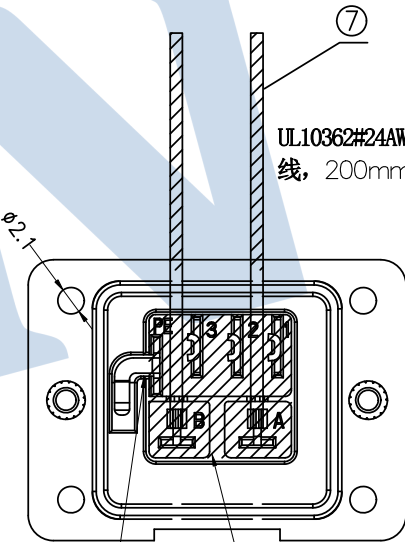
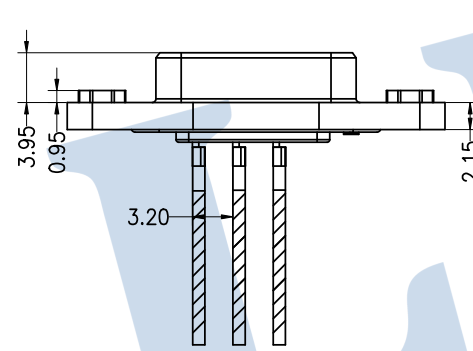
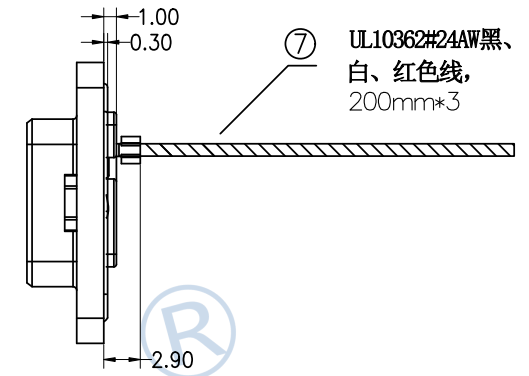
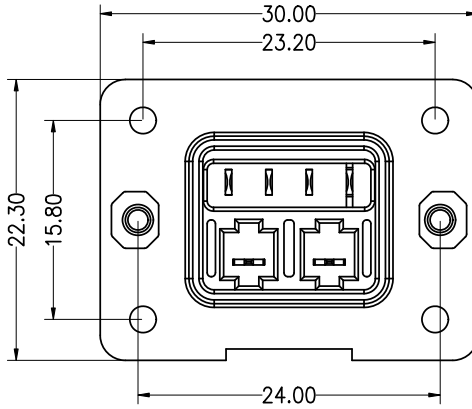


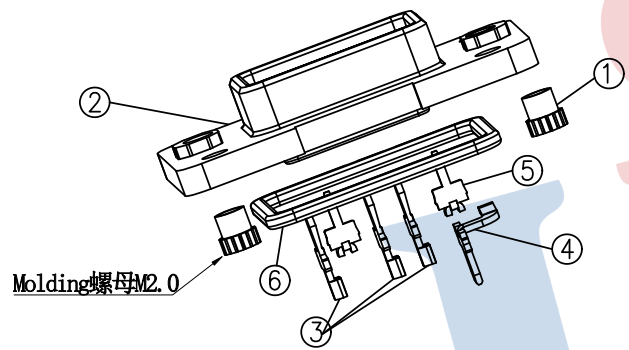
# HSF RoHS

Note:  
 Current Rating: POWER CONTACT 7A ma.  
 BRAKE CONTACT 1A ma.  
 Voltage Rating: POWER CONTACT 200 VAC.  
 BRAKE CONTACT 100 VAC.  
 Insulation Resistance:>1000 MΩ at  
 @500VDC  
 Withstand Voltage:1500VAC for 1 minute  
 Contact Resistance: 10 MΩ MAX  
 Operation Temperature:-40°C to +105°C

Contact Material:Brass  
 Contact Plating:Au or Sn Over Ni  
 Insulator Material:PBT (UL94V-0) Black



阴影部分打胶高度盖过端子平面, 不超过围栏高度。  
 \*注意此处缺口位置不可有胶溢出\*



NO	NAME	Q'TY	MATERIAL	DESCRIPTION	REMARKS
1	NUT	2	COPPER ALLOY	NATURAL COLOR	M2*0.4
2	HOUSING	1	PA46 UL94V-0	BLACK	
3	POWER CONTACT	3	COPPER ALLOY	PLATING GOLD	
4	GROUND CONTACT	1	COPPER ALLOY	PLATING GOLD	
5	BRAKE CONTACT	2	COPPER ALLOY	PLATING GOLD	
6	SOCKET SEALING	1	SYNTHETIC RUBBER	YELLOW	
7	WIRE ROD	5	UL10362#24AWG	BLUE,BLACK,WHITE,RED	

A0	2021.09.20	NEW DRAWING	CHANGE	OPERATION		DRAW	Tim Chu	2021.09.20	SCALE	FIT
				X.X	±0.30					
				X.XX	±0.20	CHECK			UNIT	mm
				X.XXX	±0.10				SIZE	A4
REV	DATE	MODIFICATION DESCRIPTION		Angle	±3°	APPROVE			SHEET	1/2
				DIM	TOL				PROJ.	☞

**JILN**® 深圳市锦凌电子有限公司  
 SHENZHEN JINLING ELECTRONICS CO.,LTD  
 Tel: 86-755-27483253 Fax: 86-755-2997-5588

PART NO. 6353-06BS1WB01

TITLE: 伺服电机动力焊线式底座4+2Pin连接器/带线/带刹车线