

NOTE:

Physical

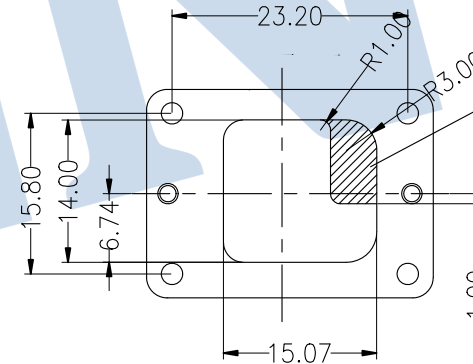
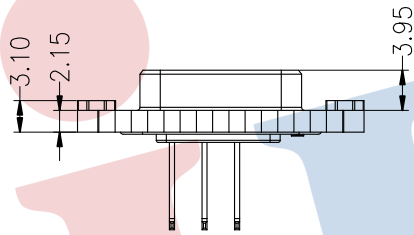
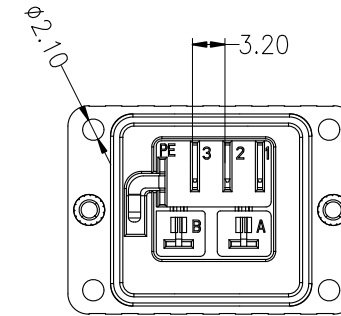
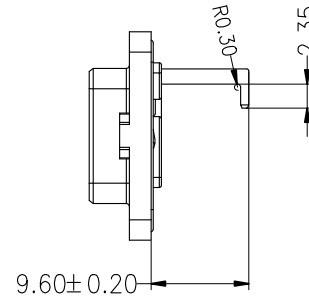
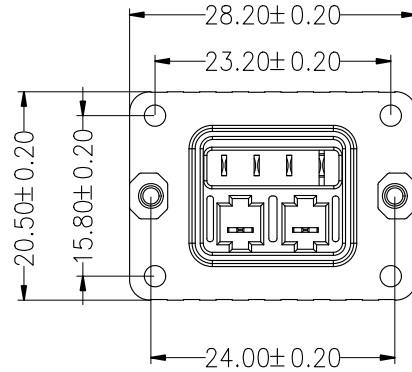
- 1. Insulation Material: Synthetic Resin UL94V-0  
Color: Black
- 2. Contact Material: Copper Alloy  
Plating: Nickel For all  
Contact Area: Gold  
Termination Area: Glod flash

Electrical

- 1. Current Rating: Power contact 7A max.  
Brake contact 1A max.
- 2. Voltage Rating: Power contact 200 VAC.  
Brake contact 100 VAC.
- 3. Insulation Resistance: >1000 MΩ at @500VDC
- 4. Withstanding Voltage: 1500VAC for 1 minute
- 5. Contact Resistance: 10 mΩ MAX

Environmental

- 1. Operating Temperature: -40°C to +105°C
- 2. Solder Temperature: 255~265°C for 5~10 sec.
- 3. Brake contact: AWG#26 to AWG#22  
Coated outer dia: 1.1 to 1.4 dia



mounting dimensions

接地位置说明:  
此区域去除表面,  
深度0.1±0.05。

MATERIAL:

| NO | NAME           | Q'TY | MATERIAL         | DESCRIPTION  |
|----|----------------|------|------------------|--------------|
| 1  | SEALING        | 1    | SYNTHETIC RUBBER | GREEN        |
| 2  | HOUSING        | 1    | SYNTHETIC RESIN  | BLACK        |
| 3  | GROUND CONTACT | 1    | COPPER ALLOY     | PLATING GOLD |
| 4  | BRAKE CONTACT  | 2    | COPPER ALLOY     | PLATING GOLD |
| 5  | SEALING        | 1    | SYNTHETIC RUBBER | GREEN        |
| 6  | POWER CONTACT  | 3    | COPPER ALLOY     | PLATING GOLD |

| REV | DATE       | MODIFICATION DESCRIPTION | CHANGE | OPERATION |       | DRAW    | Tim Chu  | 2022.06.20 | SCALE | FIT |
|-----|------------|--------------------------|--------|-----------|-------|---------|----------|------------|-------|-----|
|     |            |                          |        | X.X       | ±0.30 |         |          |            | UNIT  | mm  |
|     |            |                          |        | X.XX      | ±0.20 | CHECK   | Ou Yang  | 2022.06.20 | SIZE  | A4  |
| A0  | 2022.06.20 | NEW DRAWING              |        | X.XXX     | ±0.10 |         |          |            | SHEET | 1/2 |
|     |            |                          |        | Angle     | ±3'   | APPROVE | Wang Wei | 2022.06.20 | SHEET | 1/2 |
|     |            |                          |        | DIM       | TOL   |         |          |            | PROJ. | ☉   |

**JILN**® 深圳市锦凌电子有限公司  
SHENZHEN JINLING ELECTRONICS CO.,LTD  
Tel: 86-755-27483253 Fax: 86-755-2997-5588

PART NO. 6353C-06B-AE-W00

TITLE: JM20伺服电机动动力勾板型底座4+2P/  
小型直口/不带线