

HSF RoHS

Note:

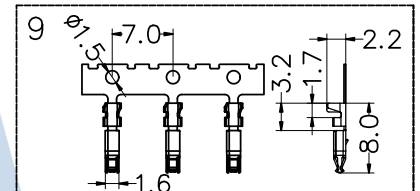
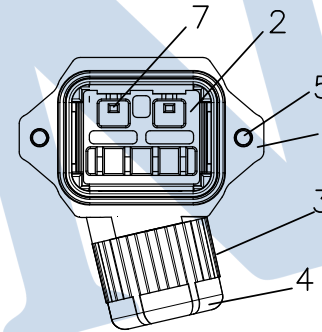
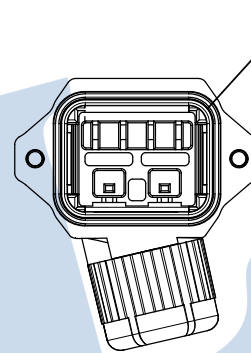
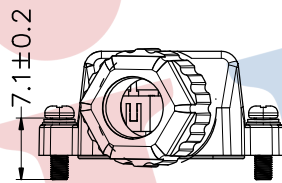
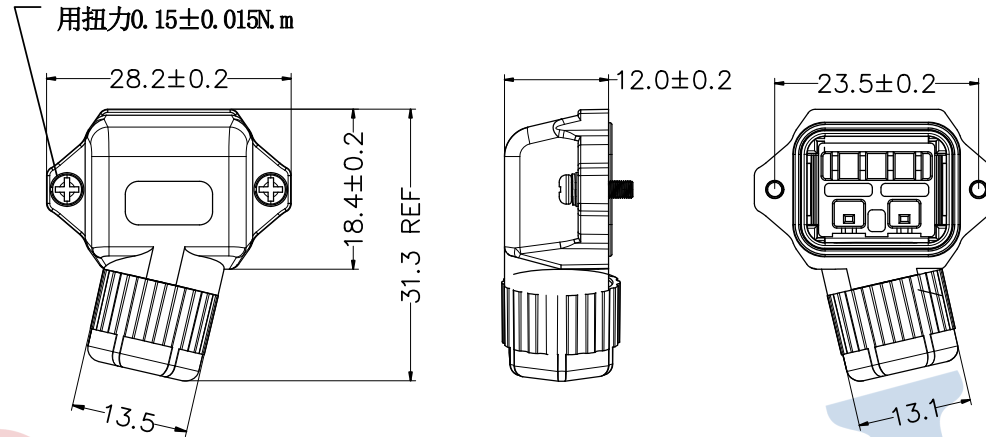
Current Rating: POWER CONTACT 7A max.
 BRAKE CONTACT 1A max.
 Voltage Rating: POWER CONTACT 200 VAC.
 BRAKE CONTACT 100 VAC.
 Insulation Resistance:>1000 MΩ at @500VDC
 Withstand Voltage:1500VAC for 1 minute
 Contact Resistance: 10 mΩ **MAX**
 Operation Temperature:-40°C to +125°C

applicable Cable:

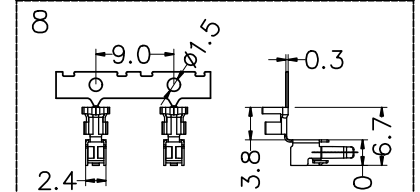
Power Contact AWG#18 to #20
 Coated outer dia:1.8 to 2.0 dia
 Brake Contact AWG#24 to #22
 Coated outer dia:1.1 to 1.4 dia
 Cable outer dia: 6.0 to 6.8 dia

Contact Material:Copper Alloy
 Termination Area:Gold flash
 Insulator Material:PA46 (UL94V-0) Black

1. M2螺丝要求对应使用1#螺丝刀头
2. 破坏扭力为0.3N.m (Max), 建议使用扭力0.15±0.015N.m



端子需单独购买
 产品用量: 2pcs
 端子料号: 202.635300202P01
 包装数量: 8000pcs/盘



正向端子需单独购买
 产品用量: 4pcs
 端子料号: 202.635300102P01
 包装数量: 2000pcs/盘

NO.	NAME	Q'TY	DESCRIPTION
1	Outside shell(外壳)	1	Black(黑色)
2	Housing(主体)	1	Black(黑色)
3	Nut(螺母)	1	Black(黑色)
4	Waterproof ring(防水圈)	1	Yellow(9.4*6.3)
5	PWM2.0*10.5半牙/环保黑锌	2	M2*12
6	Waterproof ring(防水圈)	1	Yellow(黄色)
7	Power Contact	4	Plating Gold
8	Brake Contact	2	Plating Gold

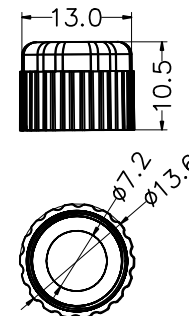
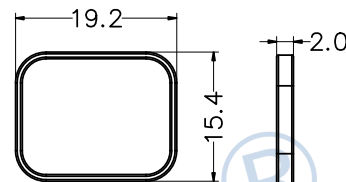
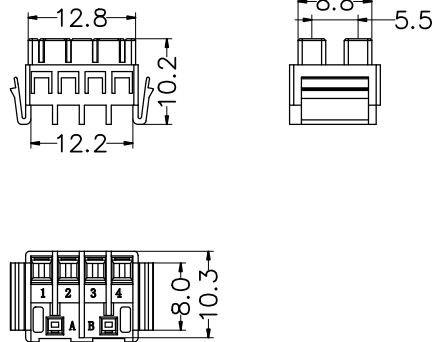
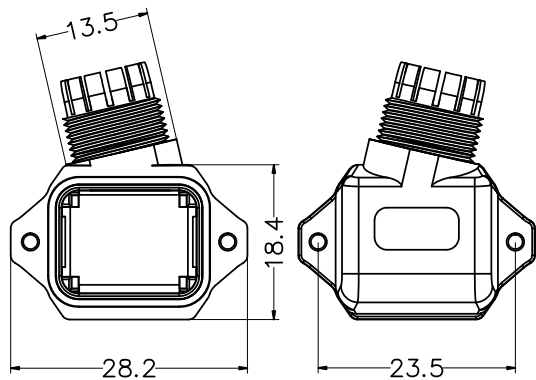
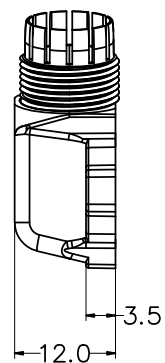
REV	DATE	MODIFICATION DESCRIPTION	CHANGE	OPERATION		DRAW	Tim Chu	22.11.12	SCALE	FIT
				X.X	±0.30					
				X.XX	±0.20	CHECK	Ou Yang Hui	22.11.12	UNIT	mm
				X.XXX	±0.10				SIZE	A4
				Angle	±3°	APPROVE	Wang Wei	22.11.12	SHEET	1/1
				DIM	TOL				PROJ.	

JILN 深圳市锦凌电子有限公司
 SHENZHEN JINLING ELECTRONICS CO.,LTD
 Tel: 86-755-27483253 Fax: 86-755-2997-5992

PART NO.	6353C-06S-AB-W00
TITLE:	JM30伺服电机动力线插头4+2P/小型斜口

A

A

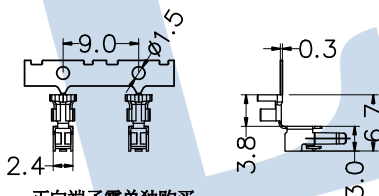
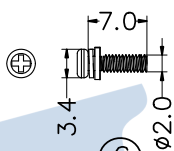
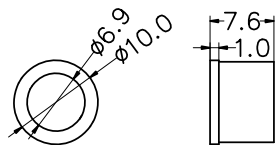


①

②

③

④



⑤

⑥

⑦

MATERIAL:

NO.	NAME	Q'TY	DESCRIPTION
1	Outside shell(外壳)	1	Black
2	Housing(主体)	1	Black
3	Waterproof ring(防水圈)	1	Yellow
4	Nut(螺母)	1	Black
5	Waterproof ring(防水圈)	1	Black
6	Screw(螺丝)	2	M2*7.0
7	Contact(大面包端子)	4	Plating Gold

正向端子需单独购买
 产品用量: 4pcs
 端子料号: 202.635300102P01
 包装数量: 2000pcs/盘

JILN® 深圳市锦凌电子有限公司
 SHENZHEN JINLING ELECTRONICS CO.,LTD
 Tel: 86-755-27483253 Fax: 86-755-2997-5992

REV	DATE	MODIFICATION DESCRIPTION	CHANGE	OPERATION		DRAW	yiyusheng	22.11.23	SCALE	FIT
				X.X	±0.30				UNIT	mm
				X.XX	±0.20	CHECK			SIZE	A4
A0	2022.11.23	NEW DRAWING		X.XXX	±0.10				SHEET	2/2
				Angle	±3°	APPROVE			TITLE:	H型4+2P 电机动力插头
				DIM	TOL				PROJ.	

PART NO.	6350-06SG2PA01
TITLE:	H型4+2P 电机动力插头