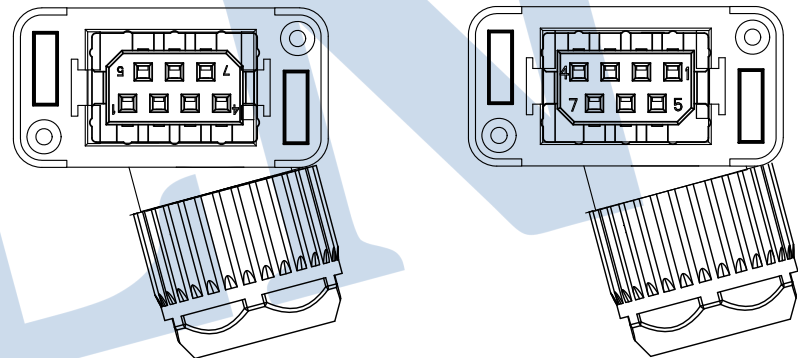
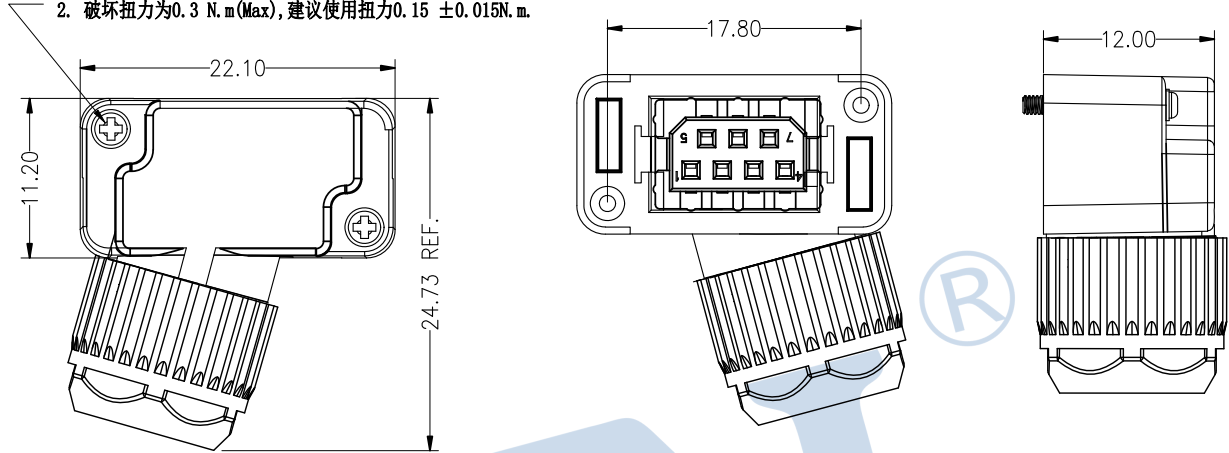


# HSF RoHS

Note:  
 Current Rating: 1A ma.  
 Voltage Rating: 100 VAC.  
 Insulation Resistance:>1000 MΩ at @500VDC  
 Withstand Voltage:500VAC for 1 minute  
 Contact Resistance: 10 mΩ MAX  
 Operation Temperature:-40° C to +125° C

applicable Cable:  
 AWG#26 to #22  
 Coated outer dia:1.1 to 1.4 dia  
 Cable outer dia: 6.0 to 6.8 dia  
 Contact Material:Copper Alloy  
 Contact Plating:Gold flash  
 Insulator Material:PBT (UL94V-0) Black

1. M2螺丝要求对应使用1#螺丝刀头。
2. 破坏扭力为0.3 N.m(Max), 建议使用扭力0.15 ±0.015N.m.



正向出线样式

反向出线样式

NO.	NAME	Q'TY	MATERIAL	DESCRIPTION
1	Outside shell(外壳)	1	PA66 UL94V0	Black
2	Housing(主体)	1	PBT UL94V0	Black
3	Shrapnel(弹片)	2	Stainless steel	
4	Shim(橡胶垫片)	1	Rubber UL94V2	Black(Ø21*11)
5	Nut(螺母)	1	PA46 UL94V0	Black
6	Waterproof ring(防水圈)	1	Rubber UL94V2	Black(Ø8.5*5.5)
7	Screw(螺丝)	2	Stainless steel	M2*12
8	Locking ring(锁环)	1		
9	Tailclip(尾夹)	1	Rubber UL94V2	
10	Brake Contact	7	Copper Alloy	Plating Gold

REV	DATE	MODIFICATION DESCRIPTION	CHANGE	OPERATION		DRAW	WeiChen	22.02.06	SCALE	FIT
				X.X	±0.30				UNIT	mm
				X.XX	±0.20	CHECK			SIZE	A4
A0	22.02.06	NEW DRAWING		X.XXX	±0.10	APPROVE			SHEET	1/1
				Angle	±3°				PROJ.	☉
				DIM	TOL					

**JILN**® 深圳市锦凌电子有限公司  
 SHENZHEN JINLING ELECTRONICS CO.,LTD  
 Tel: 86-755-27483253 Fax: 86-755-2997-5588

PART NO.	6353A-07S-A0-N00
TITLE:	微型电机动力插头 7P

