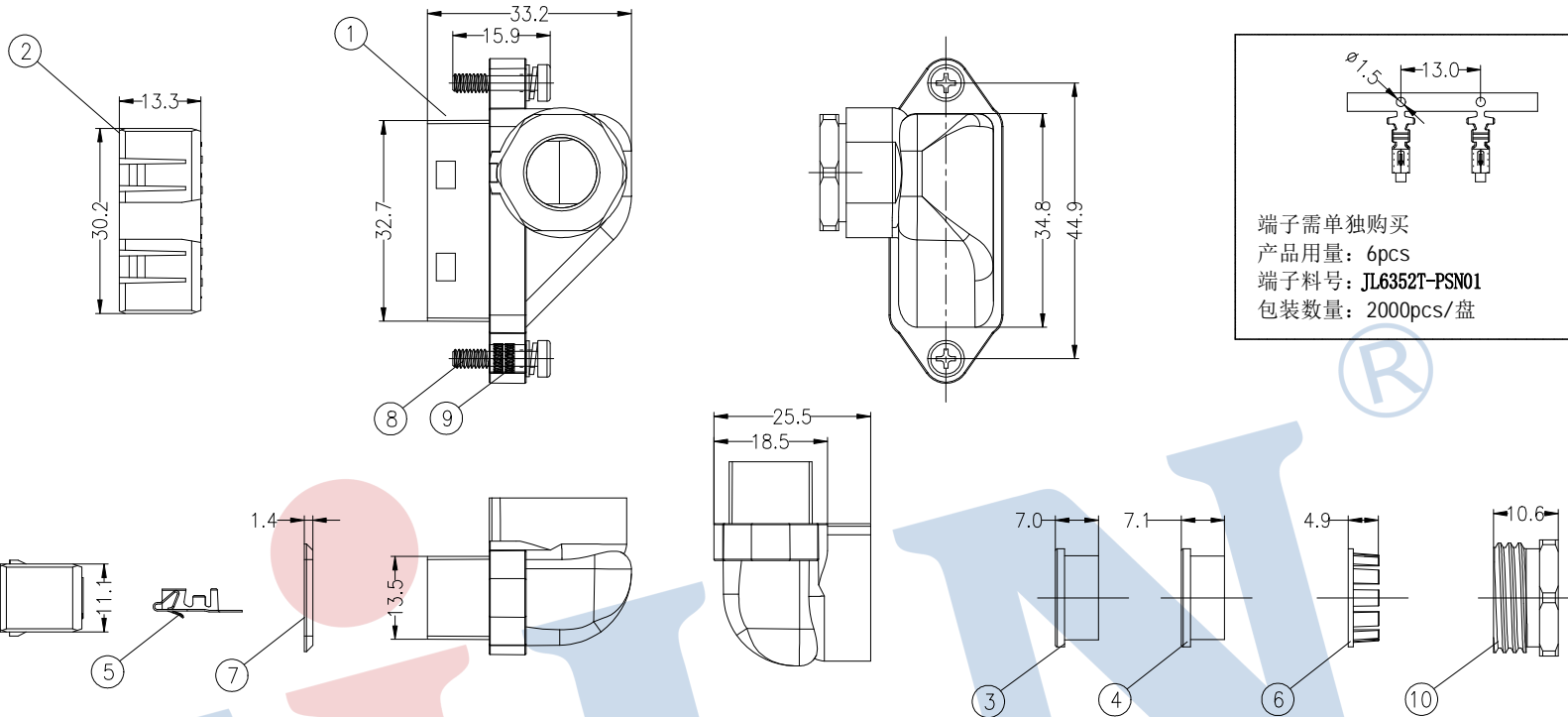
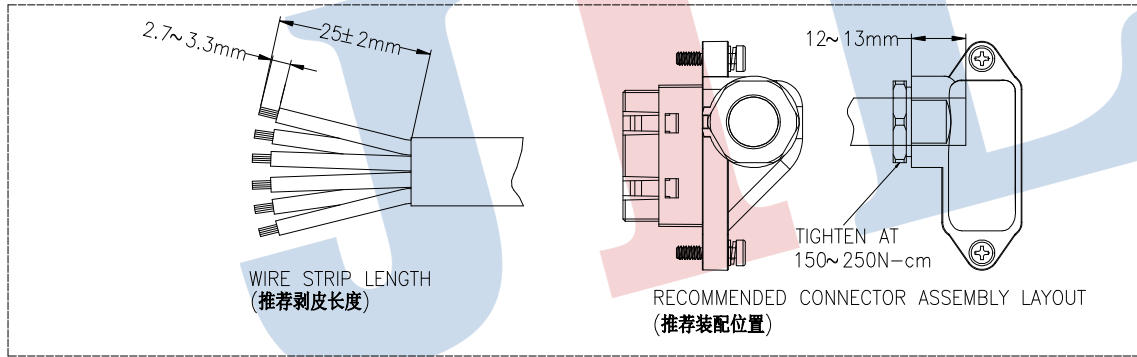


HSF RoHS



端子需单独购买
 产品用量: 6pcs
 端子料号: JL6352T-PSN01
 包装数量: 2000pcs/盘



Part:

NO.	NAME	Q'TY	DESCRIPTION
1	Outside shell(外壳)	1	Black
2	Housing(主体)	1	Black
3	Ring(胶圈)	1	Black
4	Ring(胶圈)	1	Black
5	Contact	6	Plating Sn
6	Lock ring(锁环)	1	White
7	Ring(胶圈)	1	Blue
8	Screw(螺丝)	2	M3*L15.9
9	Nut(螺母)	2	Plating Ni
10	Nut(螺母)	1	Plating Ni

				OPERATION		DRAW	Jelly Feng	2021.10.26	SCALE	FIT	JILN ® 深圳市锦凌电子有限公司 SHENZHEN JINLING ELECTRONICS CO.,LTD Tel: 86-755-27483253 Fax: 86-755-2997-5588	
				X.X	±0.30				UNIT	mm		
				X.XX	±0.20	CHECK	SIZE	A4				
				X.XXX	±0.10	APPROVE	SHEET	1/1				
A0	2021.10.26	NEW DRAWING		Angle	±3°			PROJ.		PART NO.	6352-06RSNP001	
REV	DATE	MODIFICATION DESCRIPTION		DIM	TOL					TITLE:	A型法那科电机连接器 90度	
1	2	3	4	5	6	7	8	9				