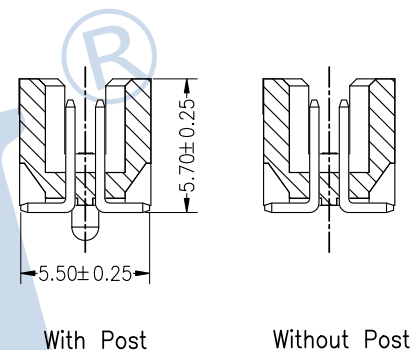
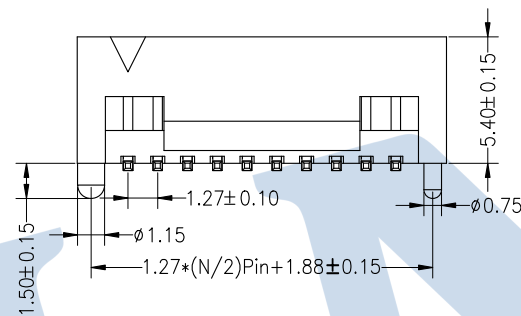
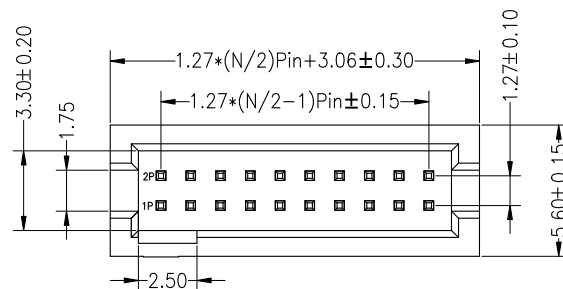




**SPECIFICATIONS**

Rated Current:1.0AMP  
 Contact Resistance:20mΩ Max  
 Withstand Voltage:500V AC/DC  
 Insulation Resistance:1000MΩ Min  
 Operation Temperature:-40°C to +105°C

Contact Material:Brass  
 Contact Plating:Au or Sn Over Ni  
 Insulator Material:Polyester(UL94V-0)  
 Max.Processing Temp:  
 (PA6T/LCP/PA9T)260°C±5°C For 5~10 Second



**Ordering Information**

**3231 XX M XX X B K00 X XX**

- No.of Pins  
NPin  
N=10~100
- Contact Plating  
G0:Gold Flash  
G1:1u" Gold  
G2:1.5u" Gold  
G3:2u" Gold  
G4:3u" Gold  
G5:5u" Gold  
G6:10u" Gold  
G7:15u" Gold  
G8:30u" Gold  
S0:Gold Flash/Tin  
SN:Tin
- Insulator Material  
Option  
C=BK-PA6T  
E=BK-PA9T  
F=BK-LCP
- Packing  
O=PE Bag  
A=Tray  
T=Tube  
P=Tube+Cap
- Stream Code  
01~99

Recommended P.C.B Layout(Top Side)  
 (PCB BOARD TOLERANCE±0.05)

				OPERATION		DRAW	Jelly Feng	2023.05.13	SCALE	FIT	<b>JILN</b> ® 深圳市锦凌电子有限公司 SHENZHEN JINLING ELECTRONICS CO.,LTD Tel: 86-755-27483253 Fax: 86-755-2997-5588	
				X.X	±0.30				UNIT	mm		
				X.XX	±0.20	CHECK				SIZE	A4	
				X.XXX	±0.10					SHEET	1/1	
A0	2023.05.13	NEW DRAWING		Angle	±3°	APPROVE				PART NO.	3231XXMXXXBK00XXX	
REV	DATE	MODIFICATION DESCRIPTION		DIM	TOL					TITLE:	1.27Box Header Npin H5.4 SMT	