

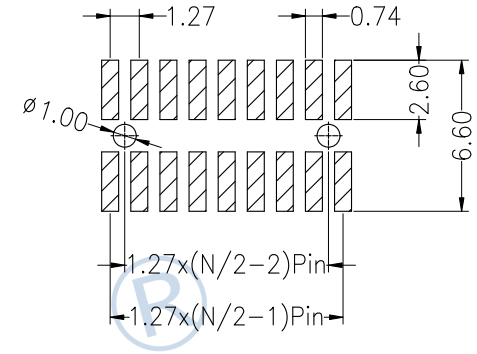
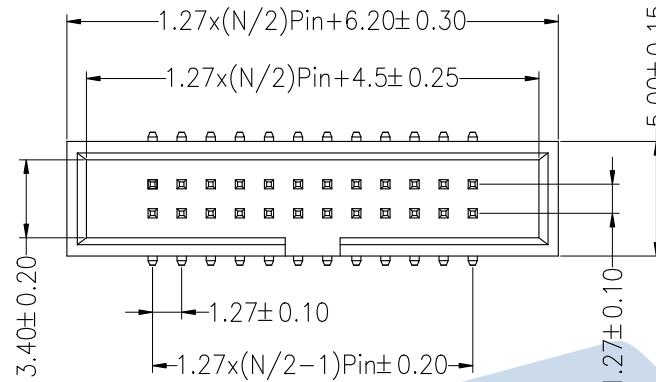


SPECIFICATIONS

Rated Current:1.0AMP
 Contact Resistance:20mΩ Max
 Withstand Voltage:500V AC/DC
 Insulation Resistance:1000MΩ Min
 Operation Temperature:-40°C to +105°C

Contact Material:Brass
 Contact Plating:Au or Sn Over Ni
 Insulator Material:Polyester(UL94V-0)
 Resistance To Soldering Heat:
 245°C ±5°C, 10s(PBT insulator)
 260°C ±5°C, 10s(PA6T&PA9T&LCP insulator)

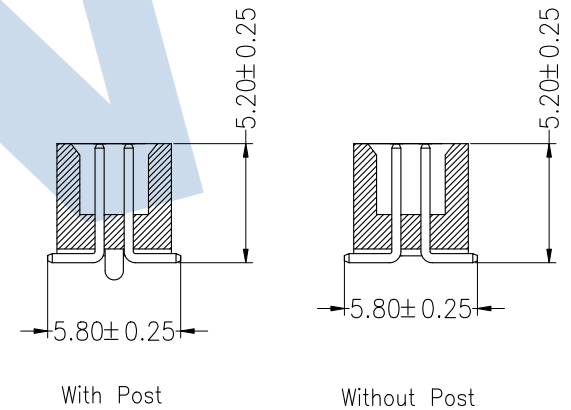
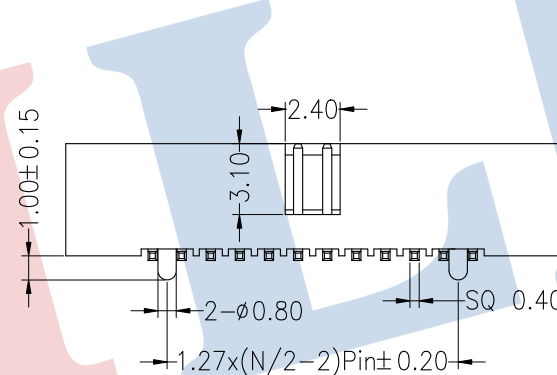
Recommended P.C.B Layout(Top Side)
 (PCB BOARD TOLERANCE±0.05)



Ordering Information

3230 XX M XX X B K00 X XX

- No.of Pins: 10~100P
- Contact Plating: G0:Gold Flash, G1:1u" Gold, G2:1.5u" Gold, G3:2u" Gold, G4:3u" Gold, G5:5u" Gold, G6:10u" Gold, G7:15u" Gold, G8:30u" Gold, S0:Gold Flash/Tin, SN:Tin
- Insulator Material Option: C=BK-PA6T, E=BK-PA9T, F=BK-LCP
- Packing: 0=PE Bag, A=Tray, T=Tube, P=Tube+Cap, R=Reel+Cap
- Stream code: 01~99



		OPERATION		DRAW	YiYuSheng	14.10.18	SCALE	FIT	
		X.X	±0.30						
		X.XX ±0.20		CHECK			UNIT	mm	
		X.XXX ±0.10					SIZE	A4	
B	2014.10.18	change terminal L=6.8mm → L=7.0mm		APPROVE			SHEET	1/1	
A0	2012.03.28	NEW DRAWING					PROJ.	☉	
REV	DATE	MODIFICATION DESCRIPTION	CHANGE					TITLE:	1.27Box Header Npin H4.9 SMT

JILN 深圳市锦凌电子有限公司
 SHENZHEN JINLING ELECTRONICS CO.,LTD
 Tel: 86-755-27483253 Fax: 86-755-2997-5588

PART NO.	3230XXMXXXBK00X0X
TITLE:	1.27Box Header Npin H4.9 SMT