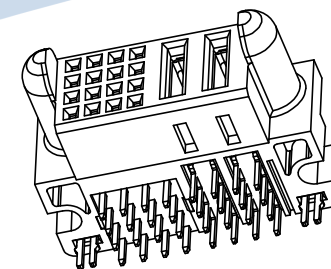
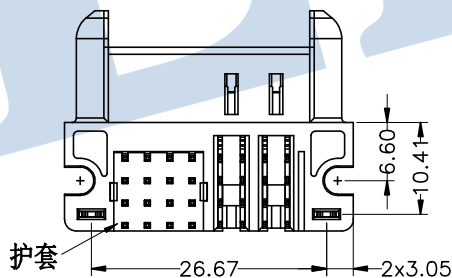
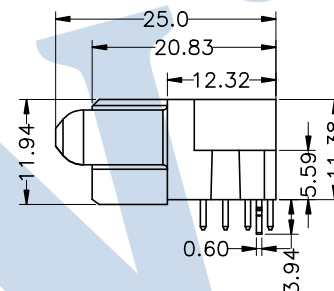
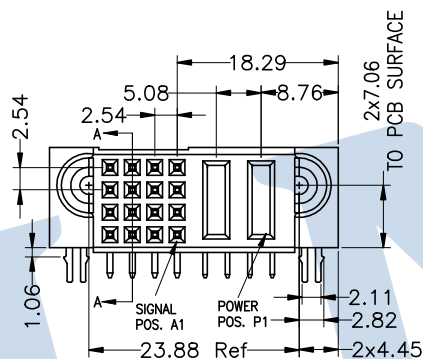
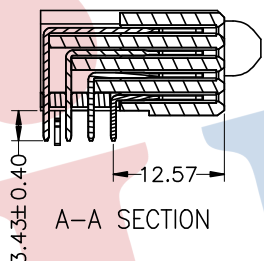
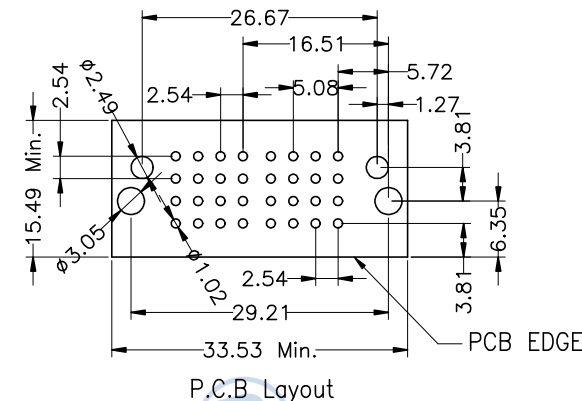
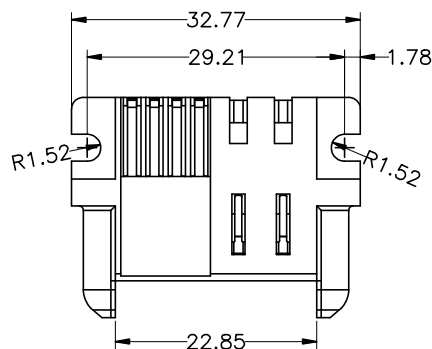


HSF RoHS

SPECIFICATIONS

Signal Rated Current:2.5AMP
 Power Rated Current:30AMP
 Signal Rated Voltage:50V AC
 Power Rated Voltage:250V AC
 Signal Contact Resistance:20mΩ Max
 Power Contact Resistance:2mΩ Max
 Signal Contact Withstand Voltage:1000V AC For 1 Minute
 Power Contact Withstand Voltage:2500V AC For 1 Minute
 Insulation Resistance:1000MΩ Min
 Operation Temperature:-40°C to +105°C

Power Contact Material:Copper Alloy
 Signal Contact Material:Copper Alloy
 Contact Plating:Au or Sn Over Ni
 PEG Material:Copper Alloy
 PEG Plating:Tin Over Ni
 Insulator Material:PA6T(UL94V-0)
 Max.Processing Temp: 260°C±5°C For 5~10 Second



Ordering Information

4500 - 18 F XX C R X 0X

- No. of Pins**: 16S+2P
- Contact Type**: M:Male, F:Female
- Contact Plating**: S1:3u" Gold/Tin, S2:5u" Gold/Tin
- Insulator Material Option**: C=BK-PA6T
- Packing**: A:Tray, T:Tube

				OPERATION		DRAW	YiYuSheng	18.08.26	SCALE	FIT	JILN ® 深圳市锦凌电子有限公司 SHENZHEN JINLING ELECTRONICS CO.,LTD Tel: 86-755-27483253 Fax: 86-755-2997-5588	
				X.X	±0.30				UNIT	mm		
				X.XX	±0.20	CHECK	SIZE	A4				
A0	2018.08.26	NEW DRAWING		X.XXX	±0.10	APPROVE	SHEET	1/1				
REV	DATE	MODIFICATION DESCRIPTION		CHANGE	DIM	TOL	PROJ.		PART NO.	4500-18FXXCRX0X		
									TITLE:	HCP 16S+2P 电源座 弯母		