

HSF RoHS

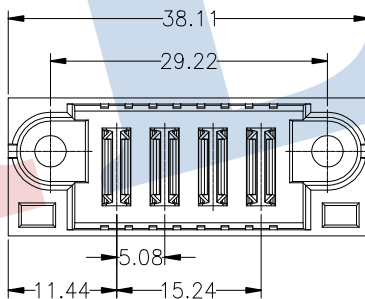
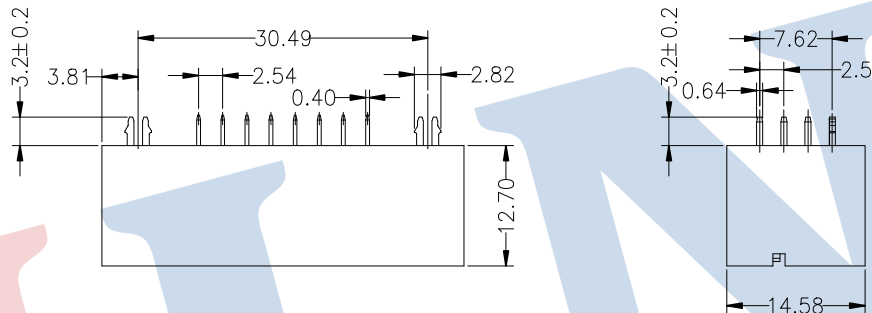
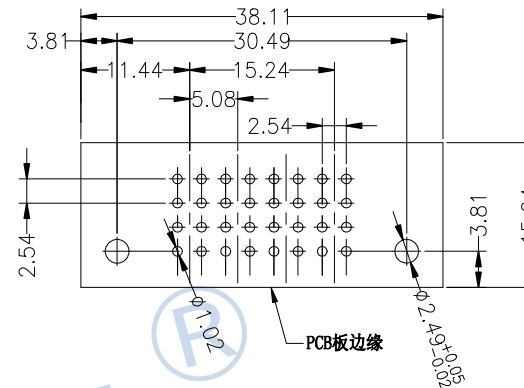
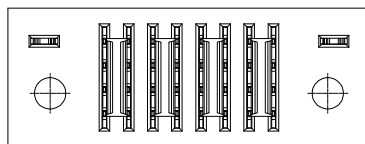
SPECIFICATIONS

Power Rated Current:30AMP
 Power Rated Voltage:250V AC
 Power Contact Resistance:2mΩ Max
 Power Withstand Voltage:2500V AC For 1 Minute
 Insulation Resistance:1000MΩ Min
 Operation Temperature:-40°C to +105°C

Power Contact Material:Copper Alloy
 Contact Plating:Au or Sn Over Ni
 PEG Material:Copper Alloy
 PEG Plating:Tin Over Ni

Insulator Material:PA6T(UL94V-0)
 Max.Processing Temp: 260°C±5°C For 5~10 Second

Recommended P.C.B Layout(Top Side)
 (PCB BOARD TOLERANCE±0.05)



Ordering Information

4500 - 04 M XX C S X XX

No.of Pins: 4P
 Contact Type: M:Male, F:Female
 Contact Plating: S1:3u"Gold/Matte-Tin, S2:5u"Gold/Matte-Tin
 Insulator Material Option: C=BK-PA6T
 Packing: A:Tray
 Code Stream

						OPERATION	DRAW	YiYuSheng	19.08.19	SCALE	FIT	JILN ® 深圳市锦凌电子有限公司 SHENZHEN JINLING ELECTRONICS CO.,LTD Tel: 86-755-27483253 Fax: 86-755-2997-5588 PART NO. 4500-04MXXCSXXX TITLE: HCP 4P 电源座 直公
						X.X	±0.30			UNIT	mm	
A1	2019.08.19	变更鱼叉尺寸4.3 → 3.2				X.XX	±0.20	CHECK		SIZE	A4	
A0	2019.04.26	NEW DRAWING				X.XXX	±0.10			SHEET	1/1	
REV	DATE	MODIFICATION DESCRIPTION		CHANGE		Angle	±3°	APPROVE		PROJ.	☯	
						DIM	TOL					