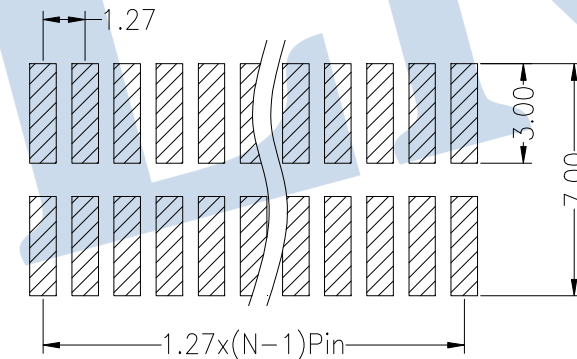
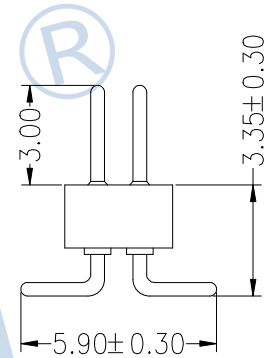
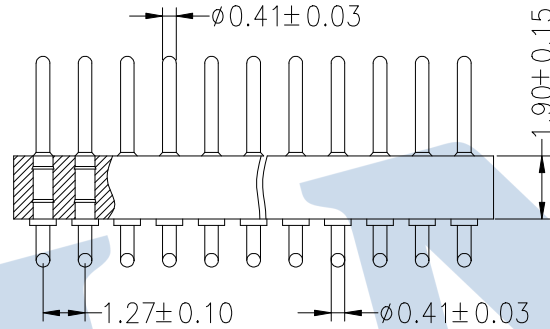
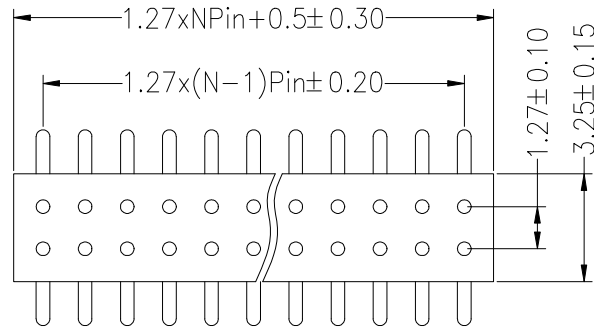




SPECIFICATIONS

Current Rating:1.0AMP
 Contact Resistance:10mΩ Max
 Dielectric Strength:Min 1000V RMS
 Operation Temperature:-40°c to +105°c

Contact Material:Brass
 Contact Plating:Au Over Ni
 Insulator Material:Polyester(UL94V-0)
 Resistance To Soldering Heat:
 260° C±5° C, 10s(PPS insulator)



Recommended P.C.B Layout(Top Side)
 (PCB BOARD TOLERANCE±0.05)

Ordering Information

3614 19 2 XX M XX 081 0X

- No.of Pins Per Row 2-50Pin
- Contact Plating
 G1:Gold Flash
 G2:2U" Gold
 G3:3U" Gold
 G4:5U" Gold
 G5:10U" Gold
- Length 081=8.1mm

				OPERATION		DRAW	yiyusheng	20.04.01	SCALE	FIT	JILN ® 深圳市锦凌电子有限公司 SHENZHEN JINLING ELECTRONICS CO.,LTD Tel: 86-755-27483253 Fax: 86-755-2997-5588		
				X.X	±0.30				UNIT	mm			
				X.XX	±0.20	CHECK	SIZE	A4	PART NO.	3614192XXMXX0810X			
				X.XXX	±0.10	APPROVE	SHEET	1/1	TITLE:	1.27x1.9 双头针 2xNPin SMT			
REV	DATE	MODIFICATION DESCRIPTION	CHANGE	DIM	TOL			PROJ.					